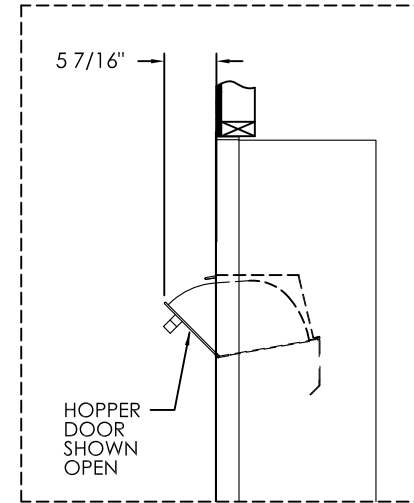
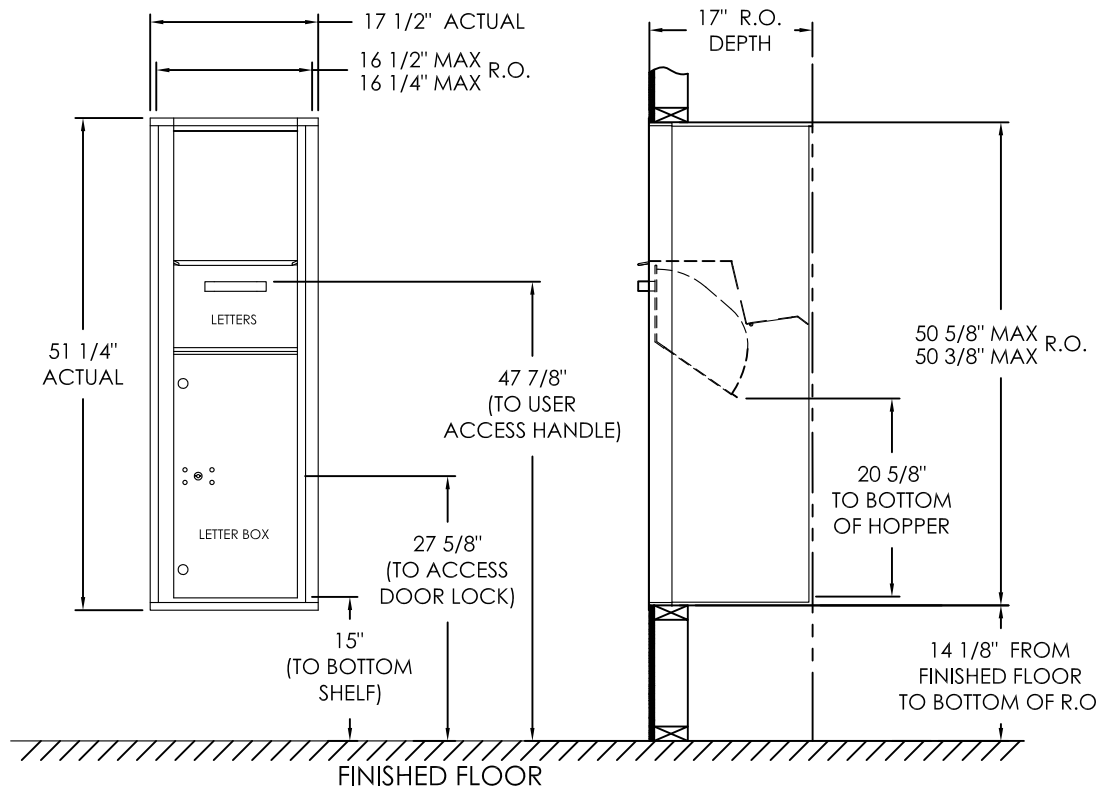


# versatile™ 4C Collection Box, 4C14S-HOP



MAX BUNDLE SIZE		
HEIGHT	WIDTH	LENGTH
4 1/4"	11 3/8"	6 1/4"
3 1/2"	11 3/8"	11 1/2"
3"	11 3/8"	14 3/4"
2 1/2"	11 3/8"	14 3/4"

**NOTES:**

1. 4C Collection boxes are USPS Approved.
2. Module may be recessed, surface, or pedestal mounted and coordinates with Florence versatile™ 4C mailbox modules, see installation manual for details.
3. Collection Box compartment size is 20 5/8" H x 12" W x 15"D.
4. Fixed top panel is for security purposes and is not usable.

PRODUCT SERIES: VERSATILE™ 4C COLLECTION BOX

**AF FLORENCE**  
**manufacturing company**  
 5935 Corporate Drive • Manhattan, KS 66503  
 www.florencemailboxes.com • (800) 275-1747  
 A GIBRALTAR INDUSTRIES COMPANY

MODEL	4C14S-HOP	REV	E
SCALE	NONE	LAST REV DATE	07/09/19
DRAWING NUMBER	4C14S-HOPCS		DRAWN BY
			RAK