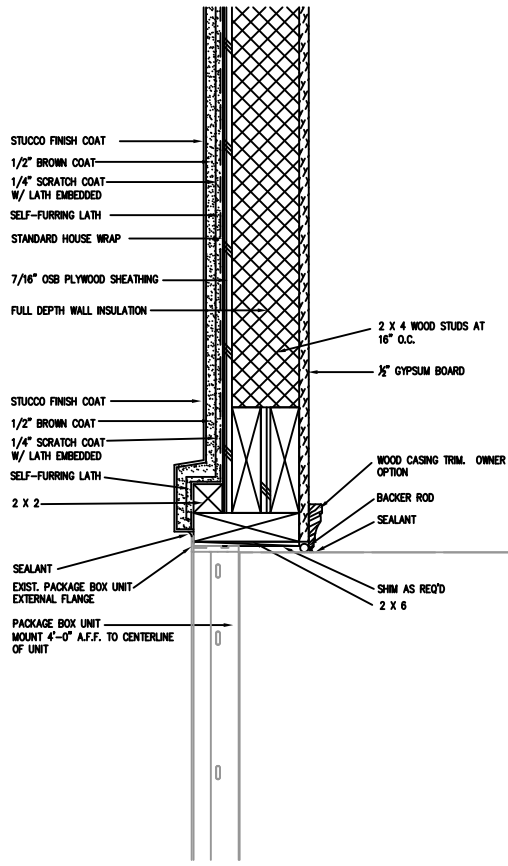
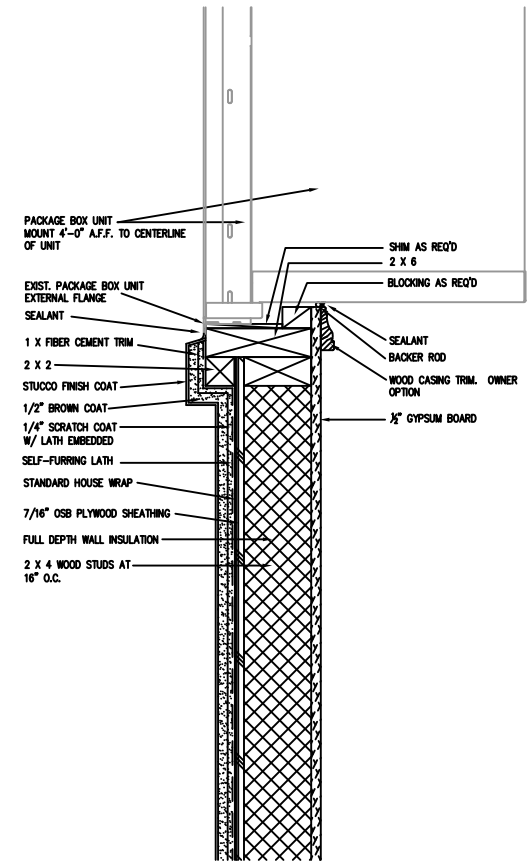


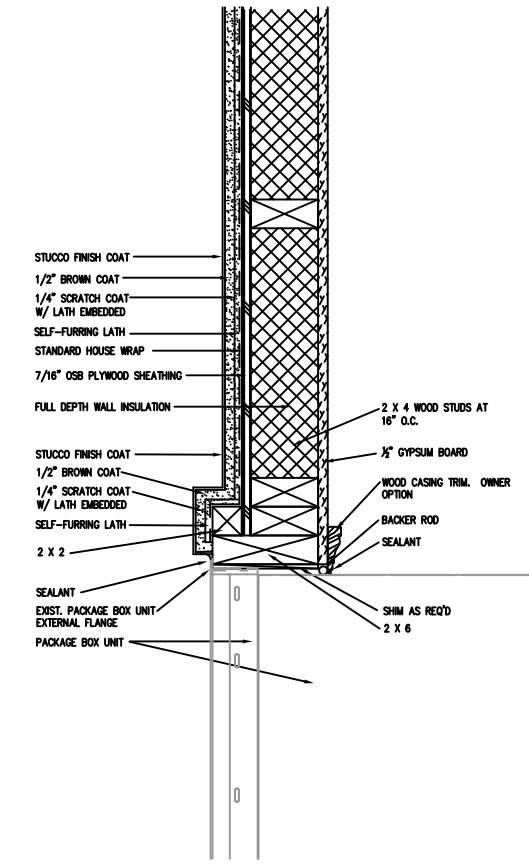
# MyPackageConcierge® INSTALLATION DETAILS WOOD FRAMED, STUCCO



HEAD DETAIL



SILL DETAIL



JAMB DETAIL

**NOTES:**  
Please refer to the MyPackageConcierge® Installation Guide for a complete set of installation instructions

|  |                         |                          |  |
|--|-------------------------|--------------------------|--|
| PRODUCT SERIES: MyPackageConcierge®<br>Carrier Neutral Package Receptacle              |                         |                          |  |
| 5935 Corporate Drive • Manhattan, KS 66503<br>800.275.1747 • www.florencemailboxes.com | MODEL MPC1              | REV A                    |  |
|  | SCALE NONE              | LAST REV DATE 04/17/2019 |  |
|  | DRAWING NUMBER MPC1WSCS | DRAWN BY RAK             |  |