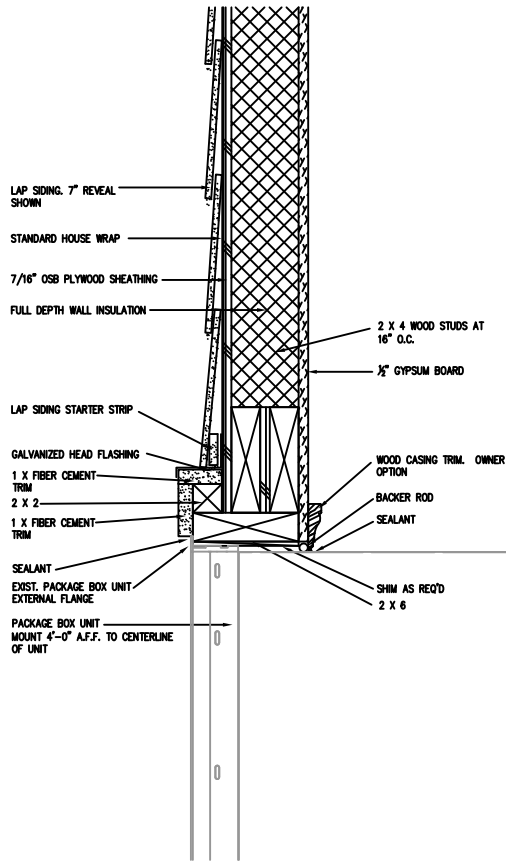
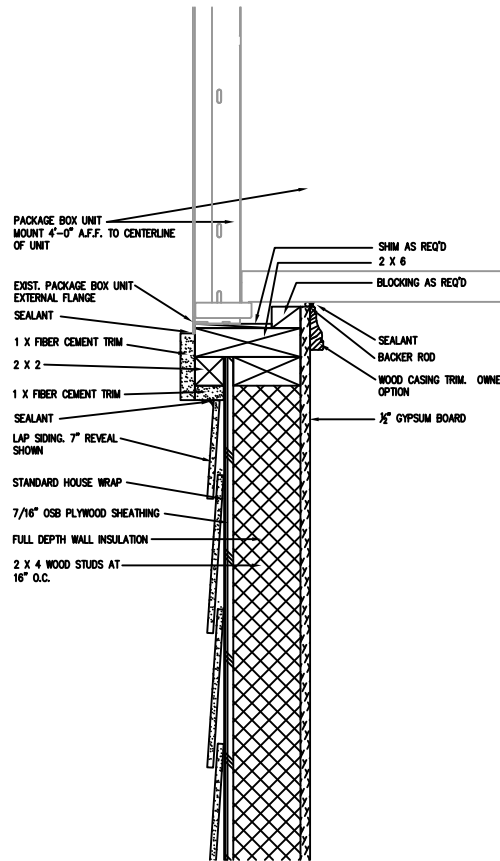


# MyPackageConcierge® INSTALLATION DETAILS

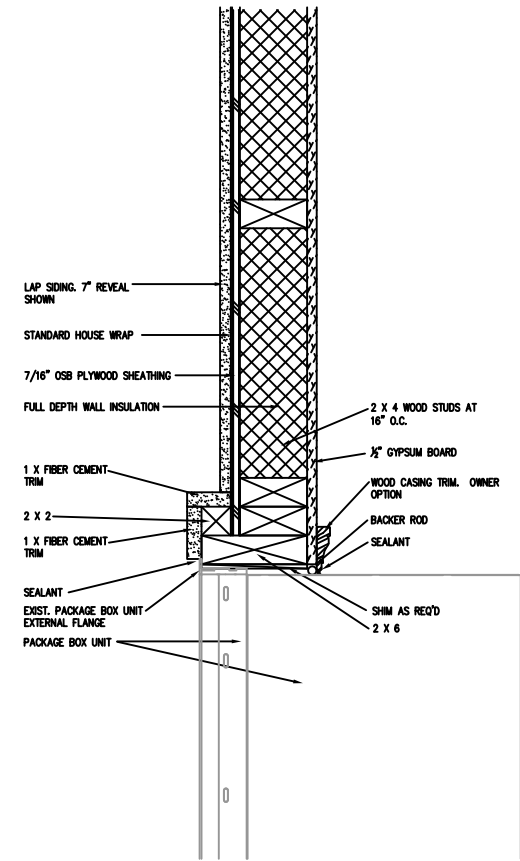
## WOOD FRAMED, LAP SIDING



HEAD DETAIL



SILL DETAIL



JAMB DETAIL

**NOTES:**

Please refer to the MyPackageConcierge® Installation Guide for a complete set of installation instructions

PRODUCT SERIES: MyPackageConcierge®  
Carrier Neutral Package Receptacle

**FLORENCE**  
**CORPORATION**

5935 Corporate Drive • Manhattan, KS 66503  
800.275.1747 • www.florencemailboxes.com

MODEL	MPC1	REV	-
SCALE	NONE	LAST REV DATE	04/17/2019
DRAWING NUMBER	MPC1WLCS	DRAWN BY	RAK