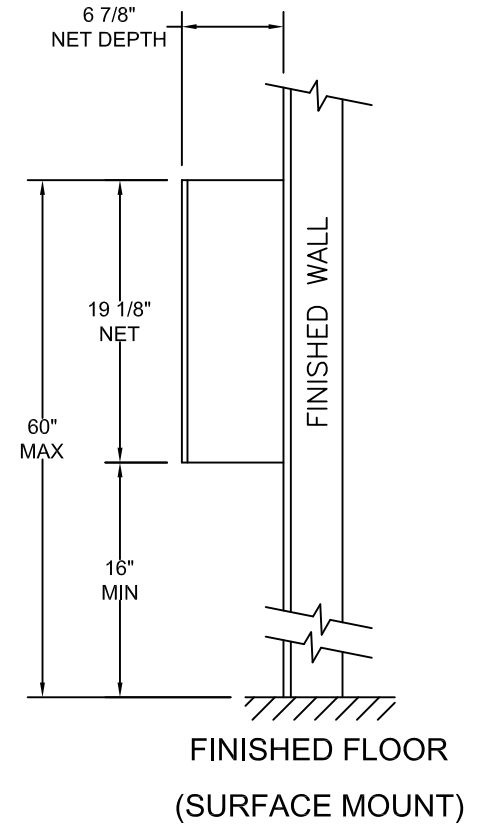
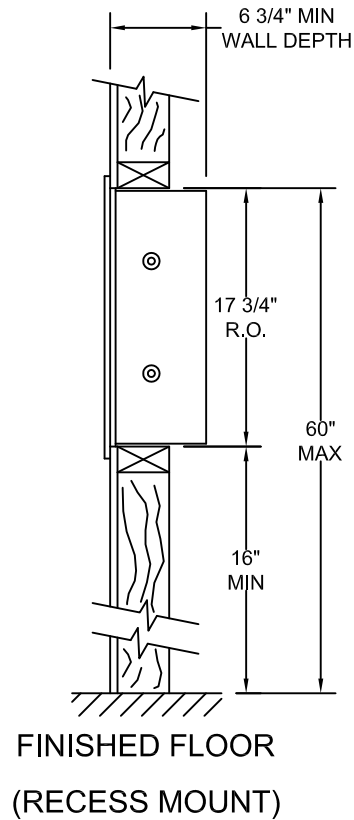
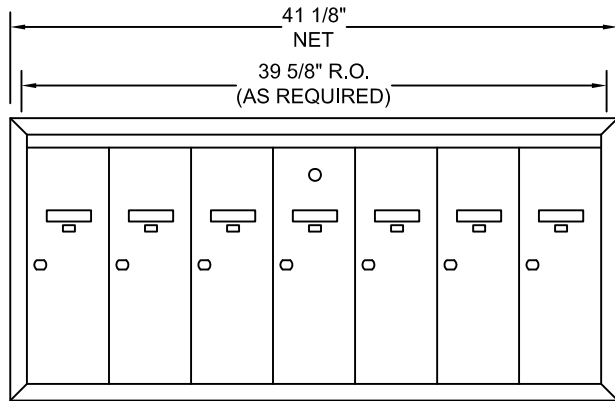


1250-7 VERTICAL STYLE MAILBOX



NOTES:

1. (1) 1250-7 SERIES ALUMINUM CABINET WITH (6) STANDARD SIZE DOORS (16"H X 5 1/2"W), AND (1) STANDARD SIZE MASTER DOOR PREPARED FOR POSTAL MASTER LOCK.
2. CLEAR ANODIZED FINISH.
3. 5-PIN CYLINDER CAM TYPE LOCK WITH (2) KEYS EACH.
4. TENANT NAME CARD HOLDER ON EACH DOOR.
5. RECESSED MOUNT (NO COLLAR REQUIRED).
6. PRIVATE MASTER LOCK OPTION.
7. SURFACE MOUNT OPTION.

PRODUCT SERIES:

1250-7 VERTICAL STYLE MAILBOX

FLORENCE
CORPORATION

5935 Corporate Drive • Manhattan, KS 66503
800.275.1747 • www.florencemailboxes.com

MODEL	1250-7	REV	B
SCALE	NONE	LAST REV. DATE	5/7/2018
DRAWING NUMBER	CS5047	DRAWN BY	RAK