

vogue™ Traditional Series Pedestal Cover

Installation Instructions

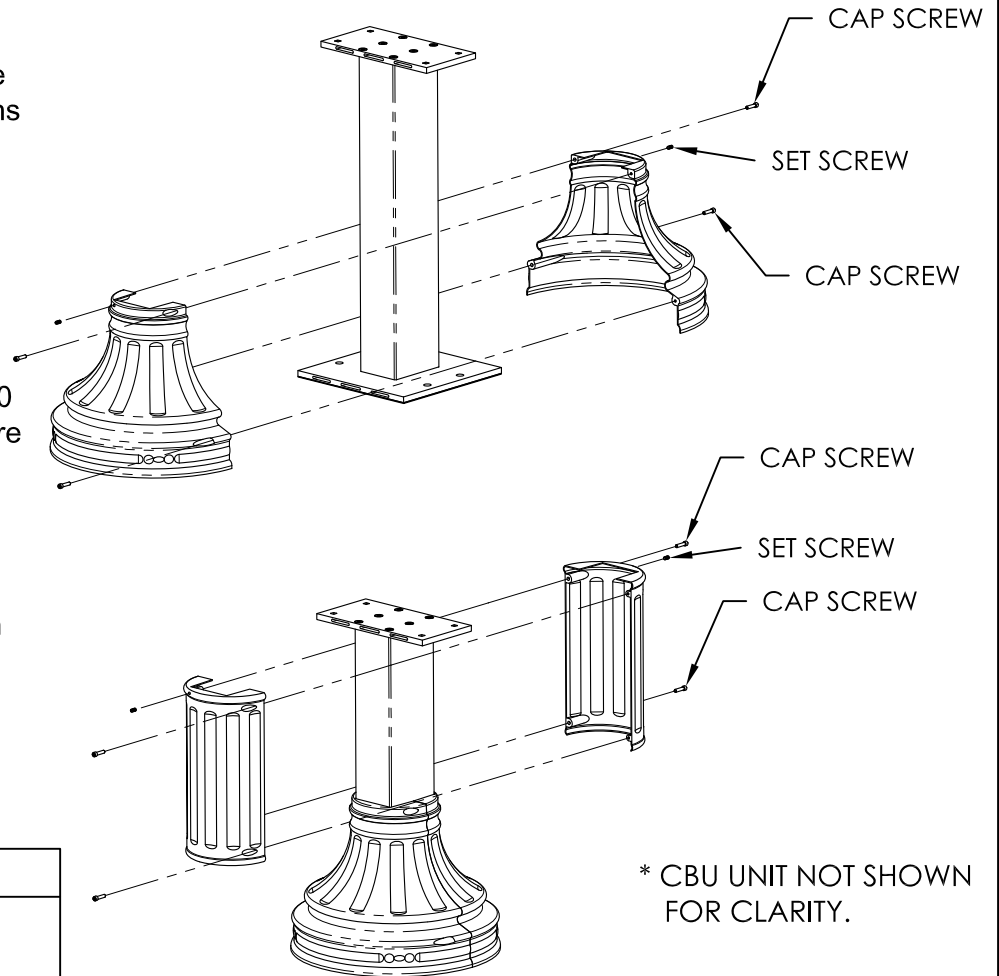
1 These instructions assume that you have already properly installed the vital™ Cluster Box Unit (CBU 1570 Series). If the CBU has not yet been installed, please refer to the instructions that came with the vital™ CBU.

2 For all CBU Types:
Attach the Decorative Base unit to the CBU post as shown using four of the 1/4-20 X 1" cap screws.

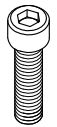
Secure the base against the CBU post using two of the 1/4-20 x 5/8" headless set screws. Do not over tighten and make sure all screws are tightened evenly.

3 Additional step for CBU Types I, II and V:
Attach the Decorative Column unit to the CBU post as shown using four of the 1/4-20 X 1" cap screws.

Secure the column against the CBU post using two of the 1/4-20 X 5/8" headless set screws. Do not over tighten and make sure all screws are tightened evenly.



HARDWARE

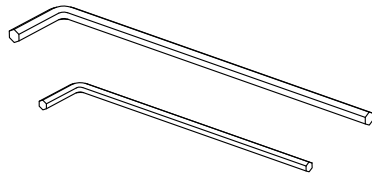


1/4-20 X 1"
CAP SCREW (8)



1/4-20 X 5/8"
SET SCREW (4)

TOOLS



3/16" ALLEN WRENCH (1)
1/8" ALLEN WRENCH (1)

PRODUCT SERIES:

VOGUE™ TRADITIONAL SERIES PEDESTAL COVER
INSTALLATION INSTRUCTIONS

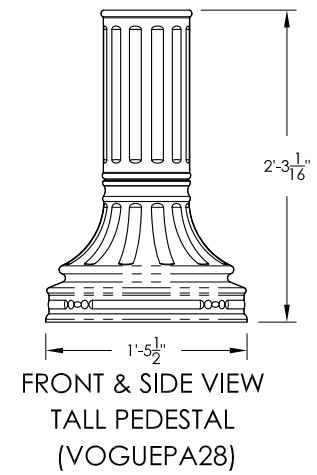
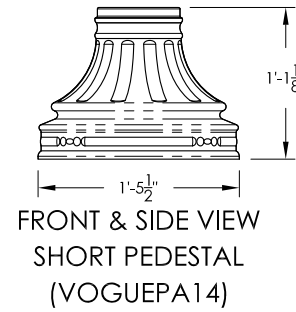
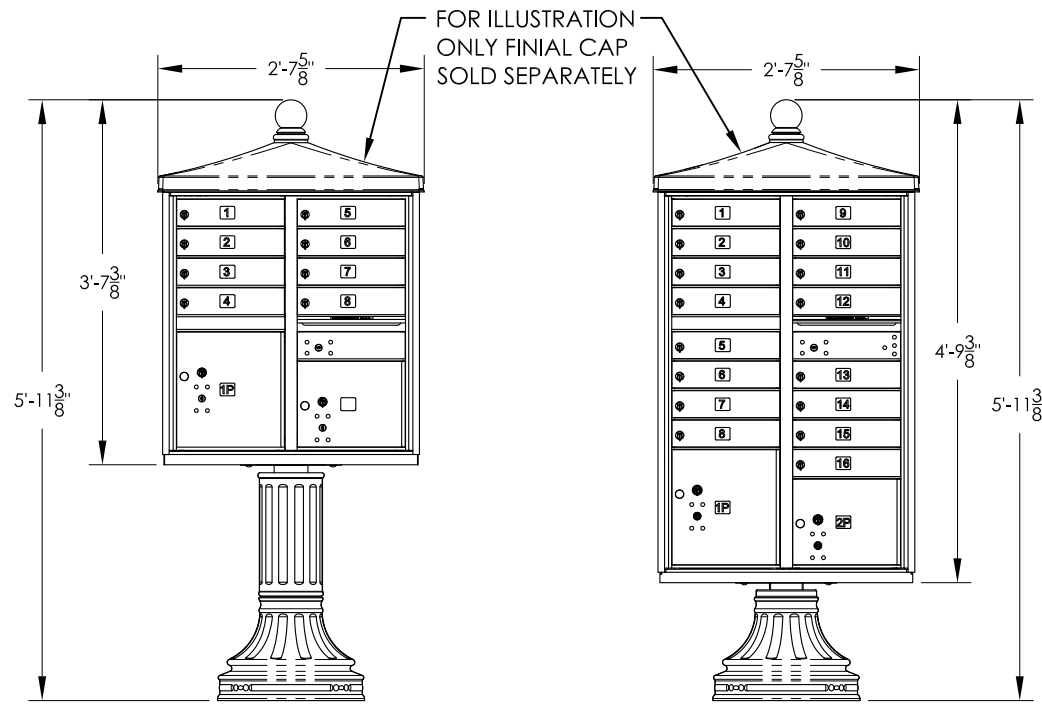
AF FLORENCE
manufacturing company

5935 Corporate Drive • Manhattan, KS 66503
www.florencemailboxes.com • (800) 275-1747

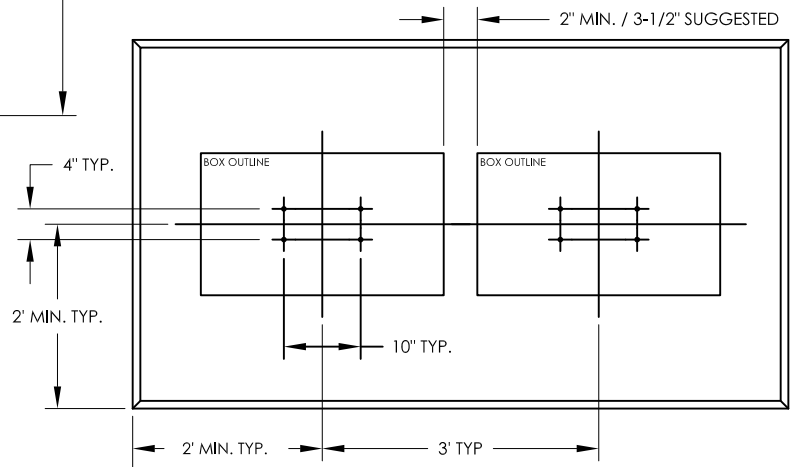
A GIBRALTAR INDUSTRIES COMPANY

MODEL	TRAD PED	REV	A
SCALE	NONE	LAST REV DATE	8/2/2013
DRAWING NUMBER	91551	DRAWN BY	AFD

vogue™ Traditional Series Pedestal Cover



MULTI-UNIT PAD SPECIFICATION
IF INSTALLING WITH FINIAL CAP



- NOTES:
1. CBU & PEDESTAL MUST BE ASSEMBLED AND FULLY INSTALLED PRIOR TO ADDING ACCESSORIES.
 2. TRADITIONAL CAP AND BASE PEDESTAL COVER SOLD SEPARATELY.
 3. AVAILABLE IN ALL STANDARD CBU POWDER COAT FINISHES.
 4. TRADITIONAL PEDESTAL COVER INSTALLED USING CAP SCREWS & SET SCREWS (INCLUDED).
 5. TRADITIONAL PEDESTAL COVER DESIGNED TO FIT OVER FLORENCE 1570 SERIES CBU PEDESTAL.

PRODUCT SERIES: VOGUE™ TRADITIONAL SERIES PEDESTAL COVER	
INSTALLATION INSTRUCTIONS	
AF FLORENCE manufacturing company	MODEL TRAD PED REV A
5935 Corporate Drive • Manhattan, KS 66503 www.florencemailboxes.com • (800) 275-1747	SCALE NONE LAST REV DATE 8/2/2013
A GIBRALTAR INDUSTRIES COMPANY	DRAWING NUMBER 91551 DRAWN BY AFD