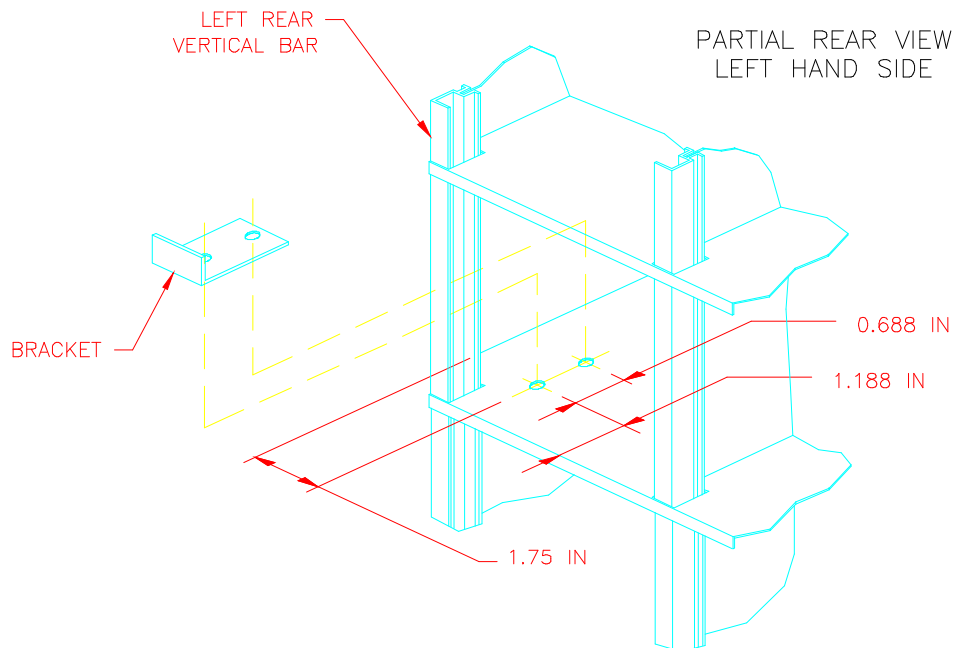


HINGED AND LOCKER REAR COVER INSTALLATION PROCEDURE



LOCK BRACKET INSTALLATION INSTRUCTIONS:

1. CLOSE REAR COVER AND IDENTIFY THE MAILBOX OPENING THAT IS BEHIND THE REAR COVER LOCK.
2. DRILL (2) HOLES FOR #8-32 SCREWS IN THE HORIZONTAL DIVIDER PLATE AT THE LOCATIONS SHOWN, IN THE MAILBOX OPENING IDENTIFIED IN STEP 1.
3. SCREW BRACKET ONTO HORIZONTAL DIVIDER PLATE WITH (2) #8-32 SCREWS AS SHOWN.



AUTH - FLORENCE
MANUFACTURING COMPANY
5935 Corporate Drive
Manhattan, Kansas 66503