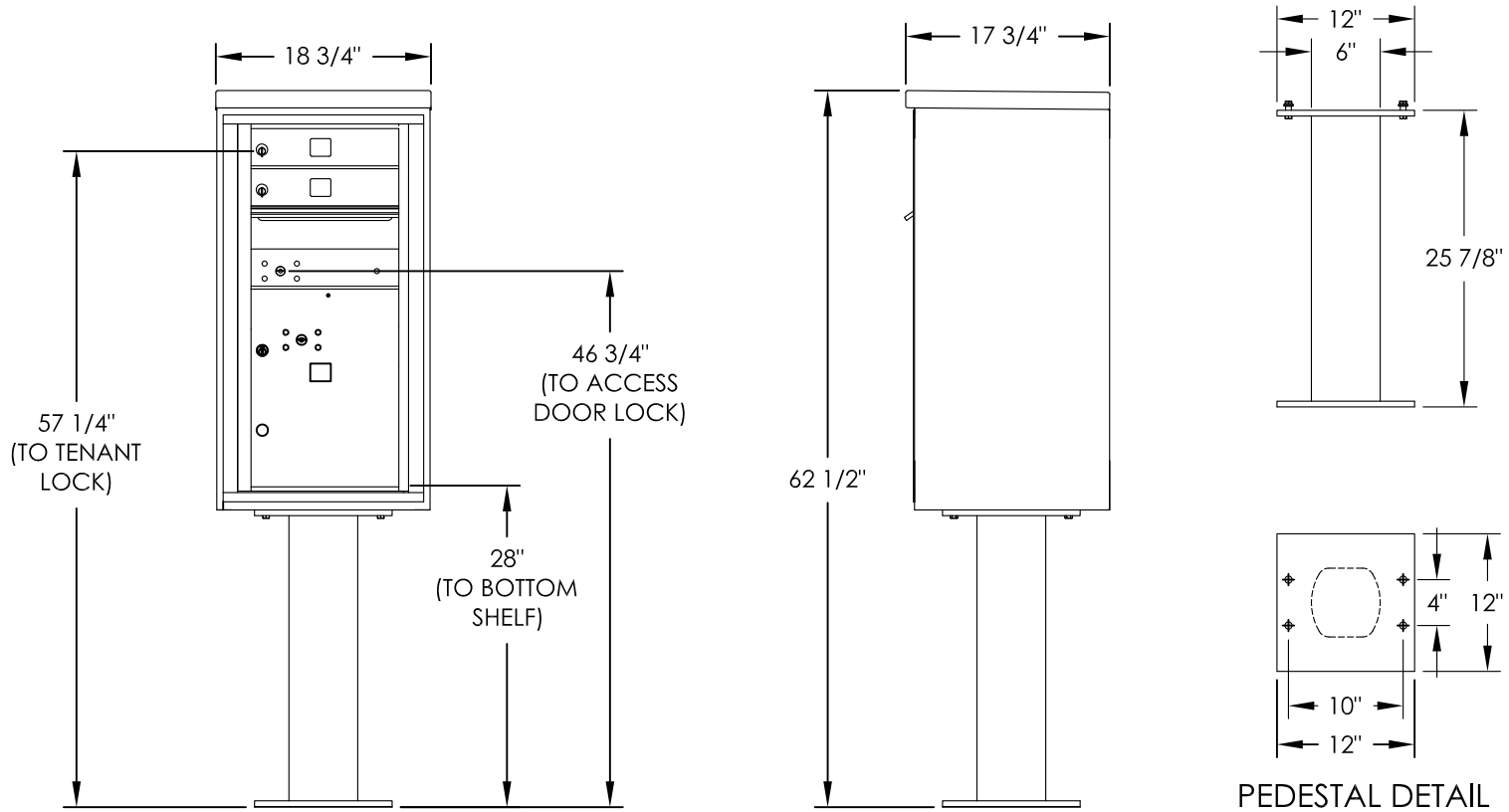


versatile™ 4C Pedestal Mount Mailbox, 4C09S-02-P



PEDESTAL DETAIL

COMPARTMENT CHART

DESCRIPTION	COMPARTMENT	COMPARTMENT SIZE	QTY.
MAILBOX	MB1	3" H x 12" W x 15" D	2
OUTGOING MAIL	OM2	6-1/2" H x 12" W x 15" D	1
PARCEL	PL5	17" H x 12" W x 15" D	1

NOTES:

- 4C pedestal units are for private applications only / not USPS Approved.
- May be installed outside or inside - see foundation specification details within the 4C Installation Manual.

PRODUCT SERIES: VERSATILE™ 4C PEDESTAL MOUNT MAILBOX

AF FLORENCE
manufacturing company
 5935 Corporate Drive • Manhattan, KS 66503
 www.florencemailboxes.com • (800) 275-1747
 A GIBRALTAR INDUSTRIES COMPANY

MODEL	4C09S-02-P	REV	B
SCALE	NONE	LAST REV DATE	5/14/2014
DRAWING NUMBER	4C09S-02-PCS	DRAWN BY	SDH