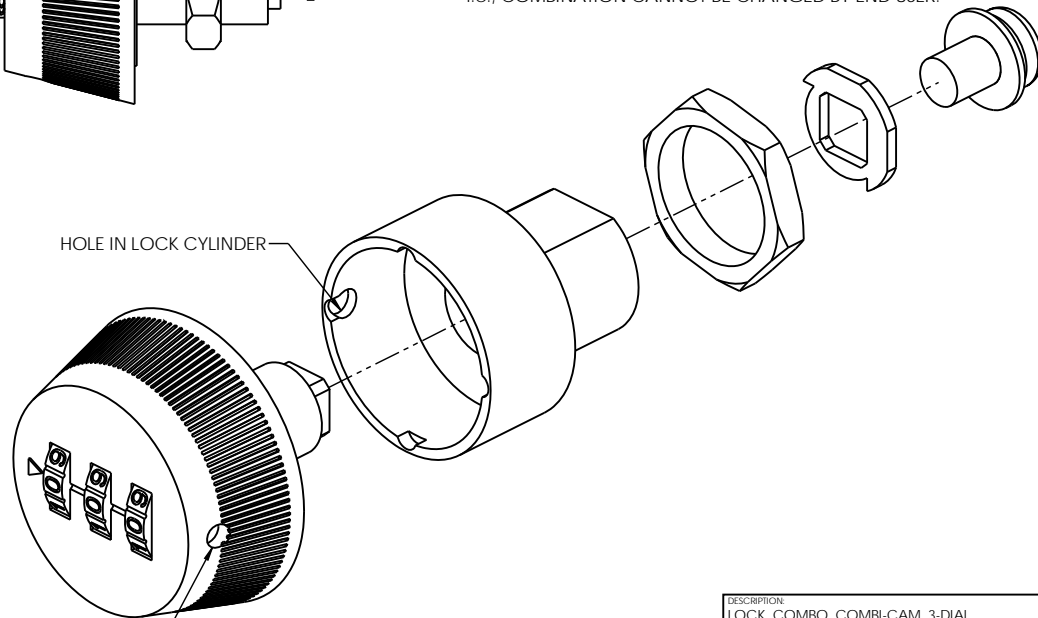
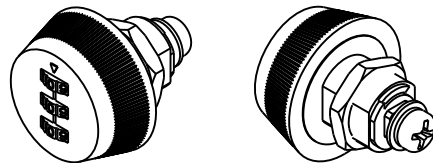


NOTES:

1. LOCK TO BE DELIVERED WITH SET COMBINATION. NO DUPLICATE COMBINATIONS ALLOWED PER SHIPMENT. ADDITIONALLY, SUBSEQUENT SHIPMENTS ARE REQUIRED TO ARRIVE WITH SET COMBINATIONS THAT ARE NOT DUPLICATES OF PREVIOUS SHIPMENTS. ONLY WHEN ALL POSSIBLE COMBINATIONS (1,000) ARE EXHAUSTED MAY THE COMBINATION CYCLE REPEAT.
2. LOCK TO BE DELIVERED WITH TEMPORARY DECAL PLACED ON FACE OF LOCK INDICATING COMBINATION. TEXT INDICATING COMBINATION MAY BE HAND-WRITTEN OR PRINTED ON DECAL, BUT SHOULD BE CLEARLY LEGIBLE AND NO LESS THAN 1/8" HIGH. TEMPORARY DECAL SHALL NOT LEAVE RESIDUE ON FACE OF LOCK WHEN REMOVED UP TO 1-YEAR AFTER RECEIVING LOCK.
3. LOCK TO BE DELIVERED ASSEMBLED AS DEFINED IN EXPLODED VIEW, I.E., COMBINATION CANNOT BE CHANGED BY END USER.



DESCRIPTION:
LOCK, COMBO, COMBI-CAM, 3-DIAL

REVISIONS					
REV.	DESCRIPTION	DATE	ECN #	CHECKED BY	APPROVED BY
A	ADDED DRAWING NOTES	12/1/2008	PRODUCTION #1	MRM	MRM

ALL MEASUREMENTS IN ENGLISH UNITS TOLERANCES UNLESS OTHERWISE SPECIFIED: X: ± .000 XX: ± .030 XXX: ± .010 FRACTION: ± .000 HOLE DIAMETER: +.005/- .002	DRAWN BY: MMOLT DATE DRAWN: 12/01/08	APPROVED BY: MMOLT DATE APPROVED: 12/01/08
DO NOT SCALE DRAWING	SCALE: 2:1	WEIGHT: 0.33
MATERIAL: MULTIPLE		

AF FLORENCE 5925 Corporate Drive
Manufacture, KS 66503
Phone: 800-275-1747
Website: www.af-florence.com

THIS DRAWING IS THE SOLE PROPERTY OF FLORENCE MANUFACTURING WHO CLAIMS PROPRIETARY RIGHTS IN THE MATERIAL DISCLOSED. IT IS ISSUED IN CONFIDENCE FOR ENGINEERING INFORMATION ONLY AND MAY NOT BE COPIED OR USED FOR INFORMATION OR MANUFACTURE OF ANYTHING SHOWING WITHOUT SPECIFIC PERMISSION FROM FLORENCE MANUFACTURING. COPYRIGHT FLORENCE MANUFACTURING 2008.

SIZE: B	SHEET: 1 of 1
DRAWING NUMBER: 64653	