

Replacement of Trash / Recycling Bin Access Door Lock

versatile™ 4C mailbox suites

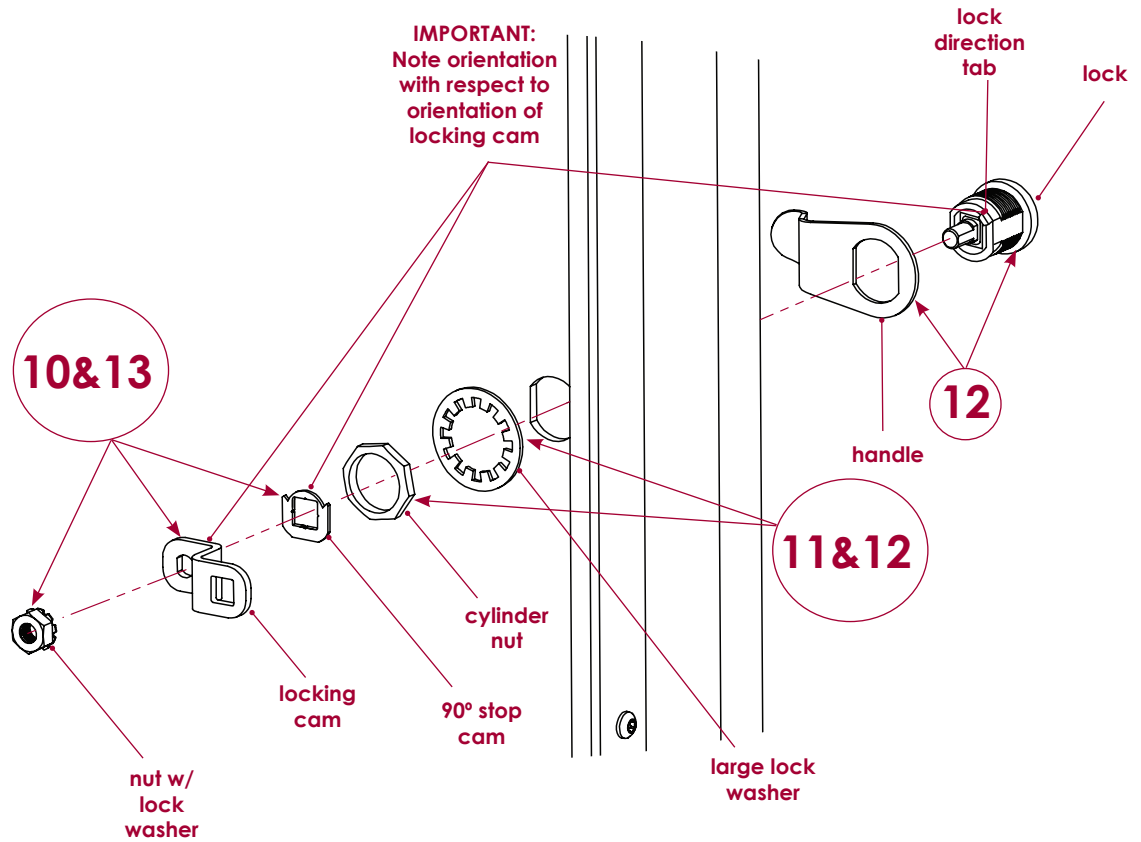
1. Open trash / recycling bin master loading door.
2. **For Standard Cam (not shown):**
Remove lock nut and locking cam (no handle is used on this lock).
3. Remove lock clip with pliers (pull down) from back of compartment door and secure new K65192 lock with lock clip.
4. On the standard cam lock replace one (1) trash / recycling locking cam and retain with one (1) lock nut.
5. **For combination lock:**
Remove the screw w/ lock washer, locking cam and 90° stop cam. Carefully note orientation of 90° stop cam.
6. Using the 7/8" socket wrench remove the cylinder nut and large lock washer.
7. Replace the lock and handle, taking great care to place the lock direction tab to the top of the door and secure with large lock washer and cylinder nut.
8. Change the combination if desired (see instructions page 30).
9. Reinstall the 90° stop cam (illustration shown in lock position), locking cam and secure with screw and lock washer or nut with lock washer.
10. **For slotted no key lock:**
Remove the nut with lock washer, locking cam and 90° stop cam. Carefully note orientation of 90° stop cam.
11. Using the 7/8" socket wrench remove the cylinder nut and large lock washer.
12. Replace the lock and handle, taking great care to place the lock direction tab to the top of the door and secure with large lock washer and cylinder nut.
13. Reinstall the 90° stop cam (illustration shown in lock position), locking cam and secure with screw and lock washer or nut with lock washer.

REQUIRED TOOLS

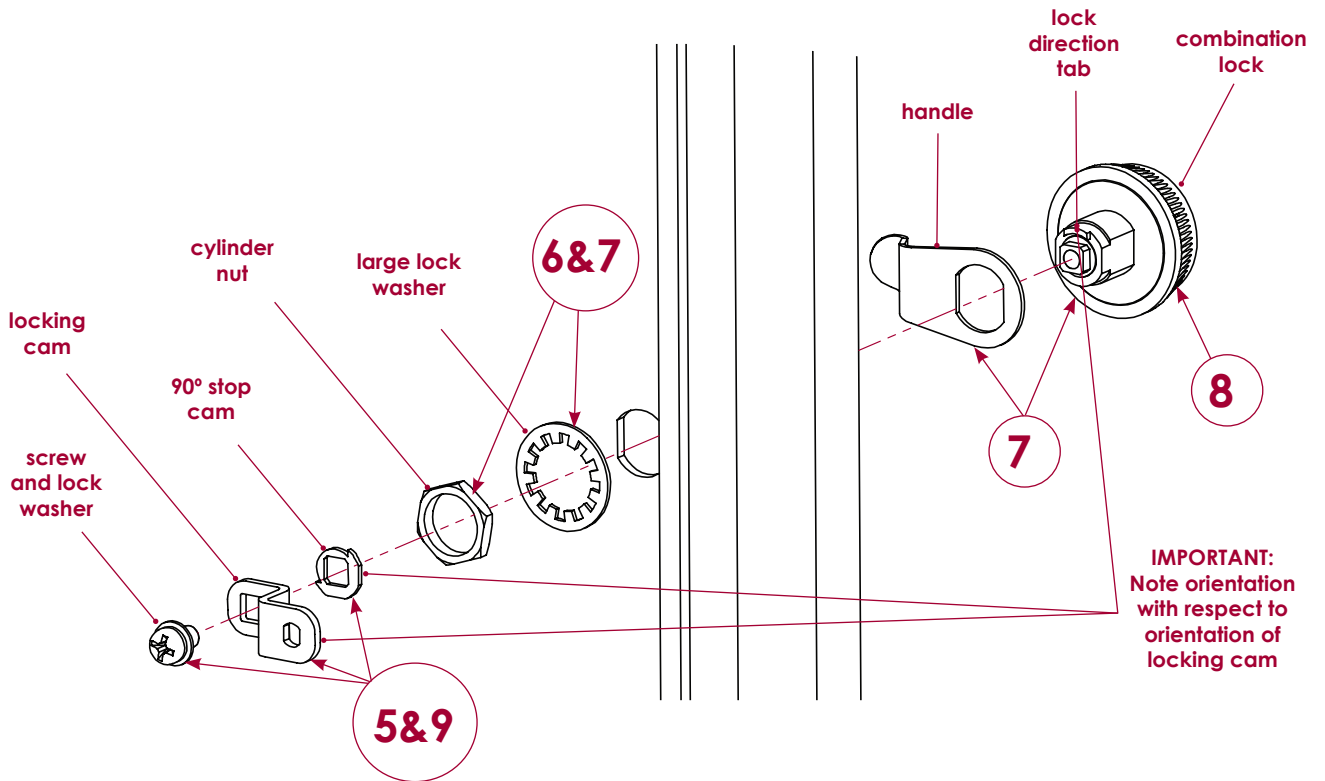
Phillips screw driver
7/8" Socket wrench
7/16" Socket wrench
1/2" Socket wrench
Slotted screw driver

PART #	DESCRIPTION
K65191	Combination lock trash / recycling kit
-	90° stop cam (part of lock kit)
-	Large lock washer (part of lock kit)
-	Cylinder nut (part of lock kit)
-	Locking cam (part of lock kit)
-	Handle (part of lock kit)
-	Screw w/ lock washer (part of lock kit)
K65192	Standard Cam lock trash / recycling kit
-	Lock nut (part of lock kit)
-	Lock clip (part of lock kit)
K65193	Slotted no key lock trash / recycling kit
-	Nut w/ lock washer (part of lock kit)

Replacement of Trash / Recycling Bin Access Door Lock



Slotted no key Lock



Combination Lock

Replacement of Trash / Recycling Bin Flap

versatile™ 4C mailbox suites

1. Open trash / recycling bin master loading door.
2. Hold one (1) #10-32 Lock nut and unscrew one (1) hinge pin with Phillips driver/bit.
3. Pull hinge pin out slowly and catch springs and flap as you remove the pin.
4. Center new flap in space and hold left spring, long arm to top, in place as you slide hinge pin back through spring and into flap (note: left spring has an additional curve on short arm).
5. Place right spring, long arm to top, in place and slide the hinge pin the rest of way through spring and door.
6. Secure the hinge rod with #10-32 lock nut.
7. Close master loading door.

REQUIRED TOOLS
Phillips driver/bit
3/8" Socket/wrench

PART #	DESCRIPTION
K65194SP	Trash/recycling flap kit w/ hardware
-	Flap (part of kit)
-	Right spring (part of kit)
-	Left spring (part of kit)
-	#10-32 Lock nut (part of kit)
-	Hinge pin (part of kit)
64664	Label (part of kit and available separately)

Replacement of Trash / Recycling Bin Flap

