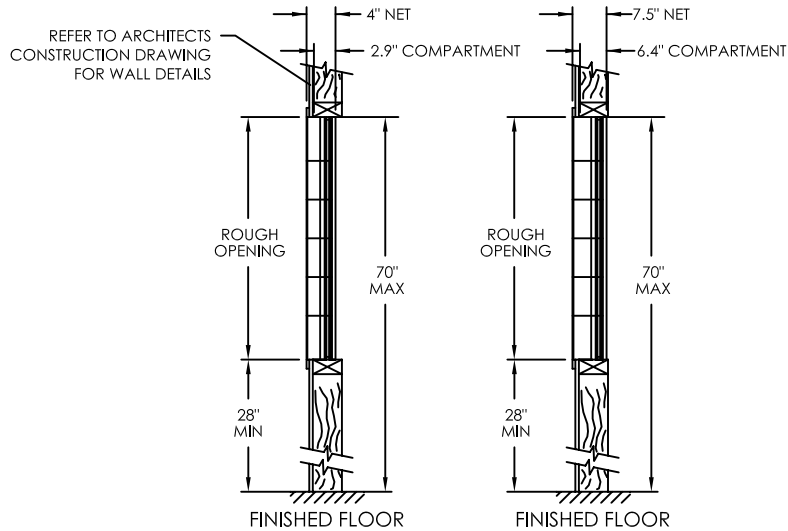


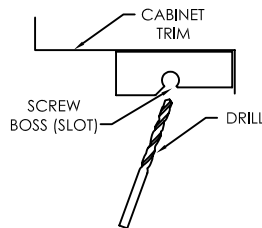
MINI STORAGE CABINET RECESS MOUNT INSTALLATION INSTRUCTIONS

1600-D4
1700-D4

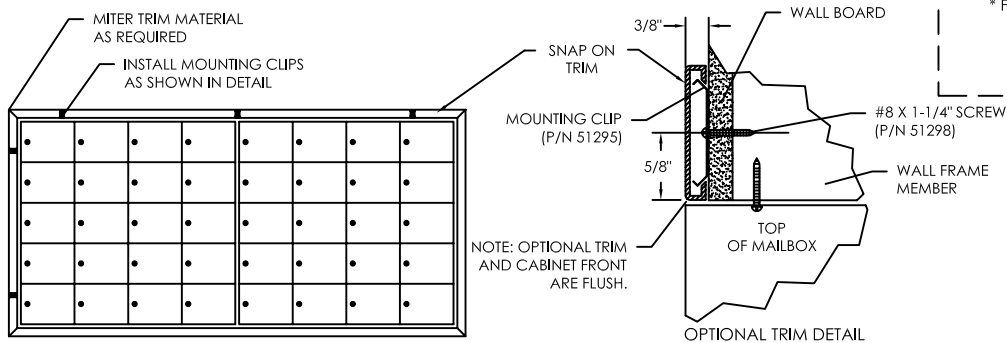
1600-D7
1700-D7



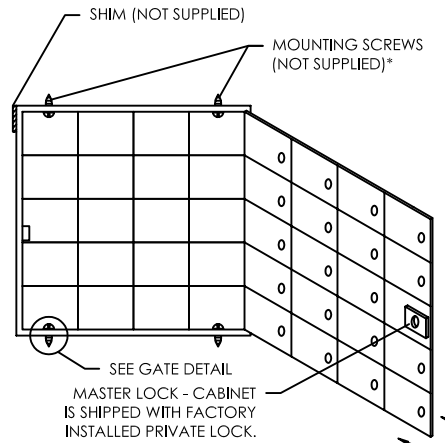
GATE DETAIL



OPTIONAL SNAP ON TRIM MOUNTING DETAILS



FRONT LOAD WITH MASTER ACCESS DOOR



NOTE: WHEN SNAP ON TRIM IS USED, CABINET MUST PROJECT 3/8" BEYOND FINISHED WALL TO MAKE A FLUSH SURFACE BETWEEN THE CABINET AND THE TRIM. SEE OPTIONAL TRIM DETAIL.

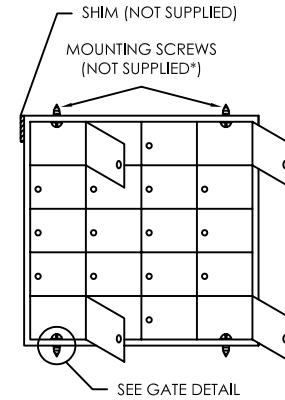
1. SLIDE FIRST GROUP OF BOXES INTO THE ROUGH OPENING IN WALL.
2. SHIM AS NECESSARY FOR GATE TO OPEN AND CLOSE FREELY. INSTALL AND TIGHTEN MOUNTING SCREWS* (2 IN TOP AND 2 IN BOTTOM).
3. INSTALL NEXT GROUP OF BOXES THE SAME AS ABOVE.

NEXT STEPS ONLY FOR CABINETS WITH OPTIONAL SNAP ON TRIM

4. SCREW MOUNTING CLIP TO WALL USING #8 X 1-1/4" SCREWS. SEE OPTIONAL TRIM DETAIL.
5. HOOK ONE EDGE OF TRIM OVER LEG OF CLIP AND SNAP OVER SECOND LEG OF CLIP.

* FOR CONVENTIONAL LUMBER WE RECOMMEND A #8 X 2" FLAT HEAD WOOD SCREW.

REAR LOAD OR FRONT LOAD WITHOUT MASTER ACCESS DOOR



NOTE: WHEN SNAP ON TRIM IS USED, CABINET MUST PROJECT 3/8" BEYOND FINISHED WALL TO MAKE A FLUSH SURFACE BETWEEN THE CABINET AND THE TRIM. SEE OPTIONAL TRIM DETAIL.

1. SLIDE FIRST GROUP OF BOXES INTO THE ROUGH OPENING IN WALL.
2. OPEN ALL FOUR CORNER TENANT DOORS AND DRILL HOLES THROUGH GATE FRAME IN SCREW BOSS (SLOT), SEE GATE DETAIL.
3. PARTIALLY INSTALL TWO MOUNTING SCREWS* IN THE TOP AND TWO IN THE BOTTOM.
4. SHIM AS NECESSARY FOR GATE TO OPEN AND CLOSE FREELY. TIGHTEN MOUNTING SCREWS.
5. INSTALL NEXT GROUP OF BOXES THE SAME WAS AS ABOVE.

NEXT STEPS ONLY FOR CABINETS WITH OPTIONAL SNAP ON TRIM

6. SCREW MOUNTING CLIP TO WALL USING #8 X 1-1/4" SCREWS. SEE OPTIONAL TRIM DETAIL.
7. HOOK ONE EDGE OF TRIM OVER LEG OF CLIP AND SNAP OVER SECOND LEG OF CLIP.

* FOR CONVENTIONAL LUMBER WE RECOMMEND A #8 X 2" FLAT HEAD WOOD SCREW.

PRODUCT SERIES:

INSTALLATION INSTRUCTIONS MINI STORAGE CABINET RECESS MOUNT FRONT AND REAR LOAD

AF FLORENCE
manufacturing company

5935 Corporate Drive • Manhattan, KS 66503
www.florencemailboxes.com • (800) 275-1747

A GIBRALTAR INDUSTRIES COMPANY

MODEL	D4 & D7	REV	-
SCALE	NONE	LAST REV DATE	10/21/2009
DRAWING NUMBER	MINI-INSTALL	DRAWN BY	NBC