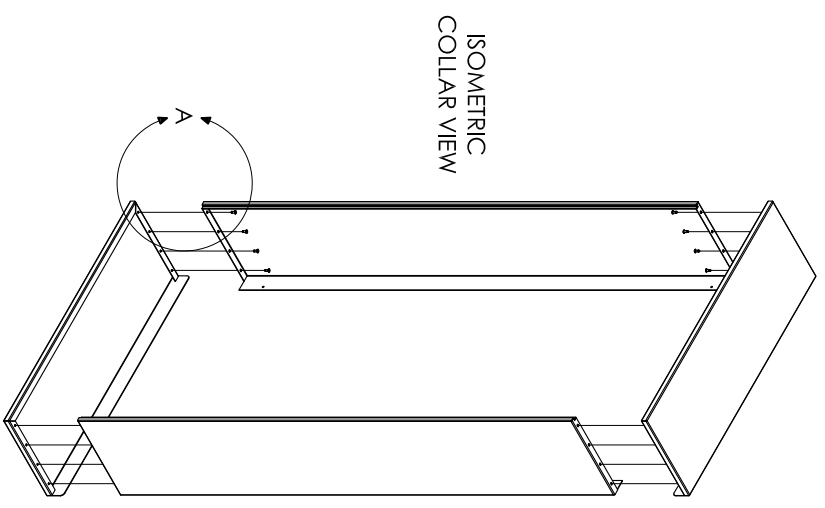
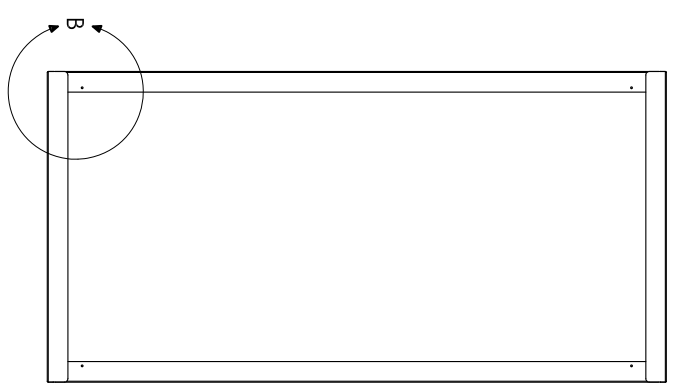


30398 RIVET

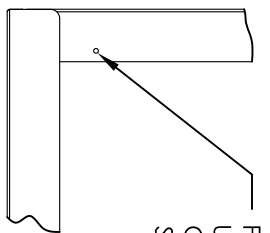
DETAIL A
SCALE 3:1



ISOMETRIC
COLLAR VIEW



REAR COLLAR VIEW



FLANGE HOLES
USED TO INSTALL
COLLAR TO MINI
STORAGE UNIT.

DETAIL B
SCALE 3:1

INSTALLATION HARDWARE (INCLUDED):

- (4) .125" X .375" RIVETS (30397)
- (16) .125" X .250" RIVETS (30398)

NOT INCLUDED:

- POP RIVET GUN
- DRILL WITH A .125" DRILL BIT

INSTALLATION NOTES (COLLAR ASSEMBLY) - (SEE DETAIL A):

1. ATTACH THE COLLAR SIDES TO THE COLLAR TOP AND BOTTOM USING THE SUPPLIED (30398) RIVETS. * NOTE: COLLAR SIDES (L & R) ARE INTERCHANGEABLE. COLLAR TOP AND BOTTOM ARE ALSO INTERCHANGEABLE.

INSTALLATION NOTES (COLLAR TO MINI LOCKER) - (SEE DETAIL B):

1. AFTER COMPLETING ASSEMBLY OF COLLAR, PLACE MINI STORAGE LOCKER INSIDE THE COLLAR.
2. FACING REAR OF COLLAR/UNIT, FIND PREDRILLED HOLES ON EITHER PIECE OF SIDE "FLANGE" OF COLLAR (1 PER CORNER).
3. DRILL THROUGH THE (4) HOLES INTO REAR OF UNIT USING .125" DRILL BIT.
4. RIVET COLLAR TO UNIT USING THE (4) SUPPLIED (30397) RIVETS.

INSTALLATION NOTES (MINI LOCKER & COLLAR ONTO WALL)

1. SEE SUPPLIED MINI-INSTALL SHEET.

* ASSEMBLY OF 4" DEEP COLLAR REQUIRES (12) 30398 RIVETS.
ASSEMBLY OF 7.5" DEEP COLLAR REQUIRES (16) 30398 RIVETS.

PRODUCT SERIES: INSTALLATION INSTRUCTIONS SURFACE MOUNT
COLLAR FOR MINI STORAGE LOCKER

AF FLORENCE
manufacturing company
5935 Corporate Drive • Manhattan, KS 66503
www.florencemailboxes.com • (800) 275-1747
A GIBRALTAR INDUSTRIES COMPANY

MODEL	REV
D4 & D7	A
SCALE	LAST REV DATE
1:14	2/23/10
DRAWING NUMBER	DRAWN BY
MINI-COLLAR	NBC