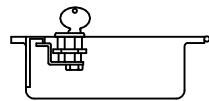
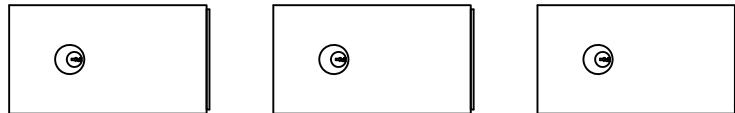


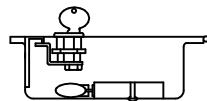
(K26)  
(P.O. LOCK)

(K26R)  
(P.O. LOCK)  
(W/RETRACT CHAIN)

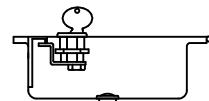
(K26P)  
(P.O. LOCK)  
(W/PUSHBUTTON)



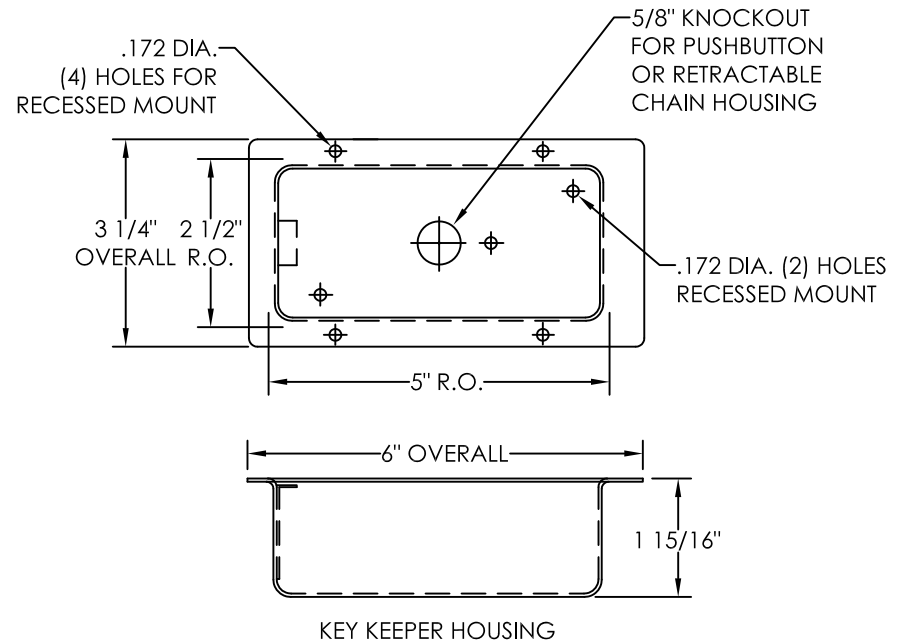
(K26C)  
(PRI LOCK)



(K26R-C)  
(PRI LOCK)  
(W/RETRACT CHAIN)



(K26P-C)  
(PRI LOCK)  
(W/PUSHBUTTON)



**Recessed installation notes:**

1. Cut the rough opening in the wall using the provided dimensions.
2. When appropriate use wood blocking to help secure the key keeper in wall opening.
3. When using a pushbutton, use the housing as a template to locate the 5/8" hole for installation.
4. When using a retractable chain, you must first secure the retractable chain reel to the inside of the key keeper before installing into the wall.
5. Open the door and using the key keeper as a template, drill pilot holes through the (4) indicated holes in the rim and the (2) indicated holes in the rear of the key keeper.
6. Secure the key keeper into the wall opening with the desired fasteners.\*

\*Due to the diverse materials the key keeper can be mounted to, installation hardware is the sole responsibility of the customer.

PRODUCT SERIES:		K26 SERIES KEY KEEPER INSTALLATION		
	MODEL	K26	REV	B
	SCALE	NONE	LAST REV DATE	5/2/2012
5935 Corporate Drive • Manhattan, KS 66503 www.florencemailboxes.com • (800) 275-1747		DRAWING NUMBER	DRAWN BY	
A GIBRALTAR INDUSTRIES COMPANY 		CS5030	RAK	