

vario
Depot™

Maintenance Manual

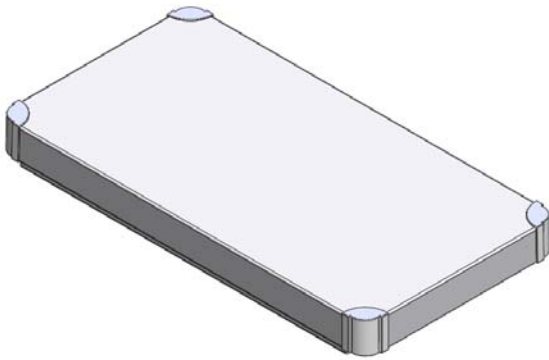


AF FLORENCE
manufacturing company

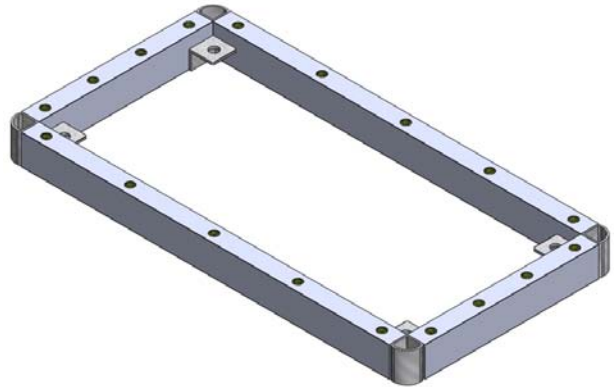
5935 Corporate Drive • Manhattan, KS 66503
www.florencemailboxes.com • 800.275.1747

A GIBRALTAR INDUSTRIES COMPANY 

vario DEPOT™ Service Parts



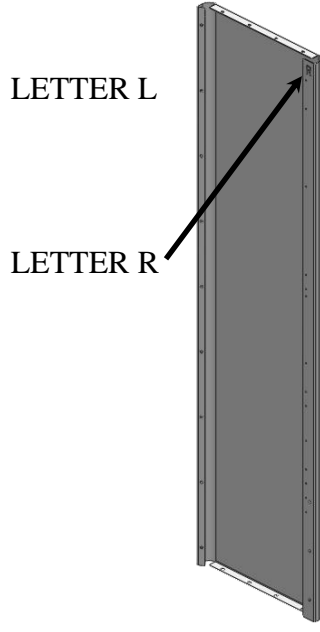
Top Panel



Base Frame



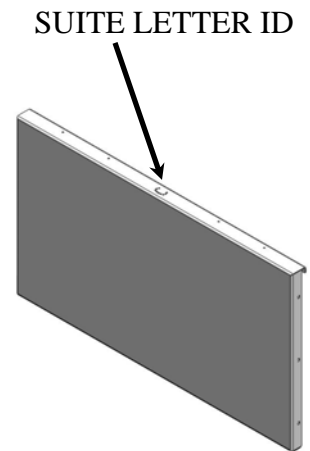
Left Side Panel



Right Side Panel



Back Panel



Front Panel

When ordering Panels, please refer to part number K65606SP and have the following information.

- versatile™ module ID
- finish color
- panel or base frame (top panel, right panel, left panel, front panel, back panel, and base frame)
- double column or single column unit

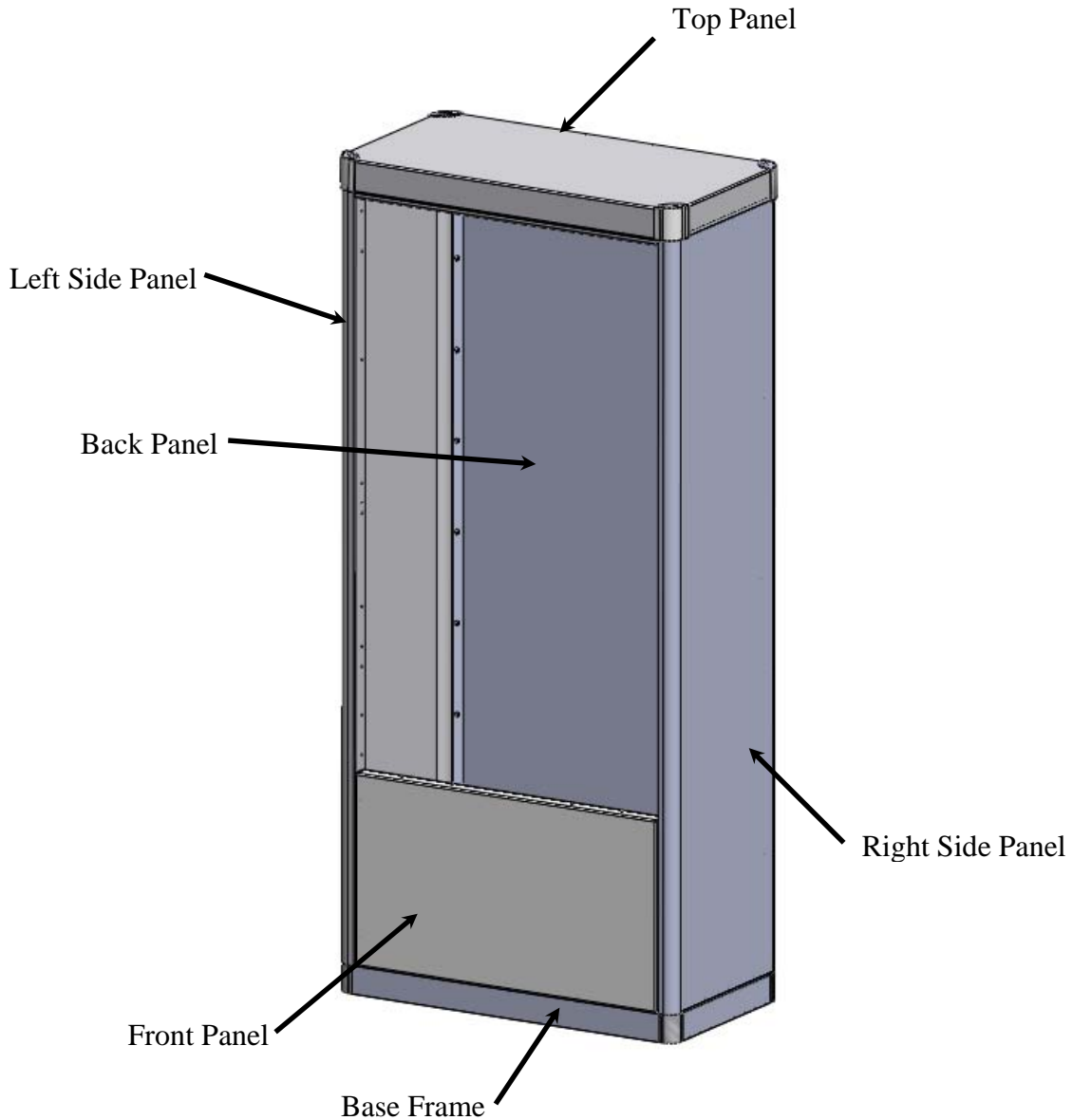
Table of Contents

vario DEPOT™ Information.....	4
Tools and Hardware List.....	5
Step 1 – Removal of versatile™ 4C module.....	6
Step 2 – Replacing Front Panel.....	7
Step 3 – Replacing Top Panel	7
Step 4 - Replacing Back and Side Panels	8
Step 5 - Replacing Base Frame	9

Technical References: Pad specifications, dimensions, and other product specifications are available to download at www.florencemailboxes.com/downloads

vario DEPOT™ Components

Before the disassembly process begins, please review the illustration below. The major components you will be working with and referred to in this maintenance manual are identified so as you are working on your vario DEPOT™ mail stand, you will be familiar with the terms that are used.

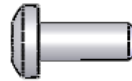


Suggested Tools for Maintenance

- 1/2" socket with Ratchet 1/2" wrench
- 1/2", 3/4", and 15/16" wrench or large crescent wrench
- Cordless drill with proper socket adapter(s)
- Hammer and Rubber mallet
- Screw driver or taper punch for aligning mating holes
- Torx-Plus driver bit – T-15,T-20
- Level

Hardware List

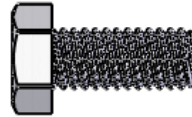
Hardware Kit number K65187 illustrated here is shown full scale. Not all hardware will be used in all applications. This list is for identification purposes only.



(45) 48291 Screws, 10-32 x 1/2" T-20 Torx



(24) 64635 Screws, #8-32 x 1" T-15 Torx



(20) 34423 Screws, Hex Head 5/16-18 X 3/4"



(45) 30194 Washer, 3/16 ID x 7/16 OD



(20) 34428 Washers, Lock 5/16 Med. Spring

Note: Anchors are not included with hardware kit and should be furnished by others

Step 1 – Removal of versatile™ module

- a) Open master load doors of the 4C module or Trash/Recycling Bin. This may require contacting local U.S. Postal Service to unlock the master load door.
- b) Use a T-15 Torx drive to remove the 64635 Screws from each side, top and bottom of versatile™ 4C module.
- c) Slide versatile™ module out of vario DEPOT™.

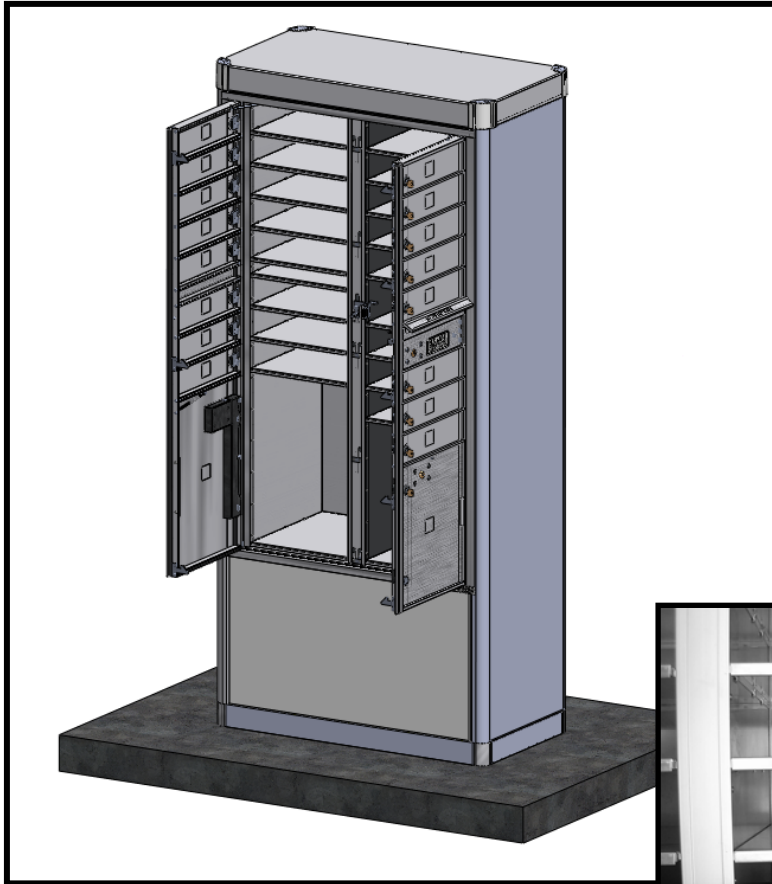


Figure 1 – versatile™ module with master load door open



Figure 2 – removing mounting screws

Caution: The versatile™ module may be heavy. Be sure to use proper lifting methods to avoid injury.

Step 2 – Replacing Front Panel

- a) See step 1 for removal of versatile™ module
- b) Remove all screws and bolts attached to the front panel.
- c) Replace front panel and reinstall screws. (*Do not tighten screws until all fasteners are installed.*)

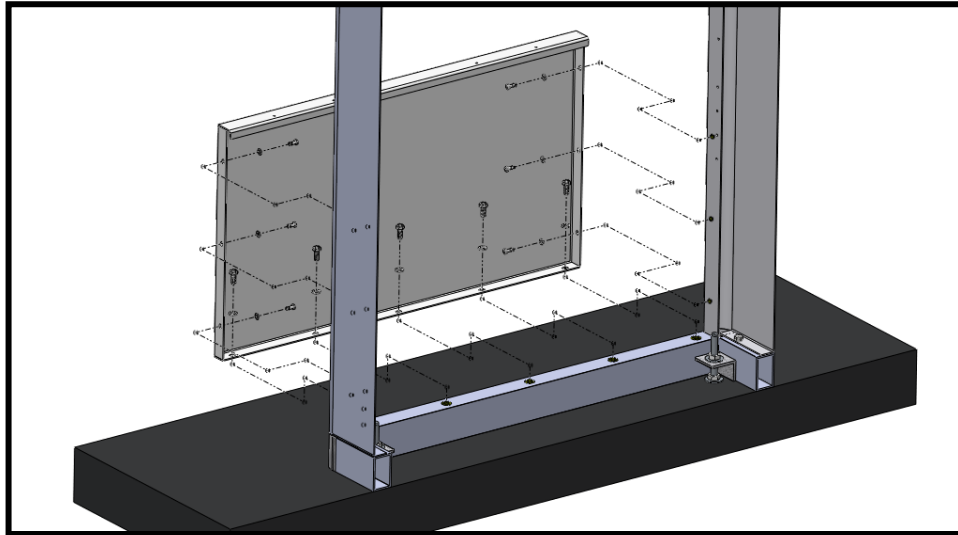


Figure 3 – Replacement and installation of front panel

Step 3 – Replacing Top Panel

- a) See step 1 for removal of versatile™ module.
- b) Remove all screws and bolts attached to the top panel.
- c) Replace top panel and reinstall screws. (*Do not tighten screws until all fasteners are installed.*)

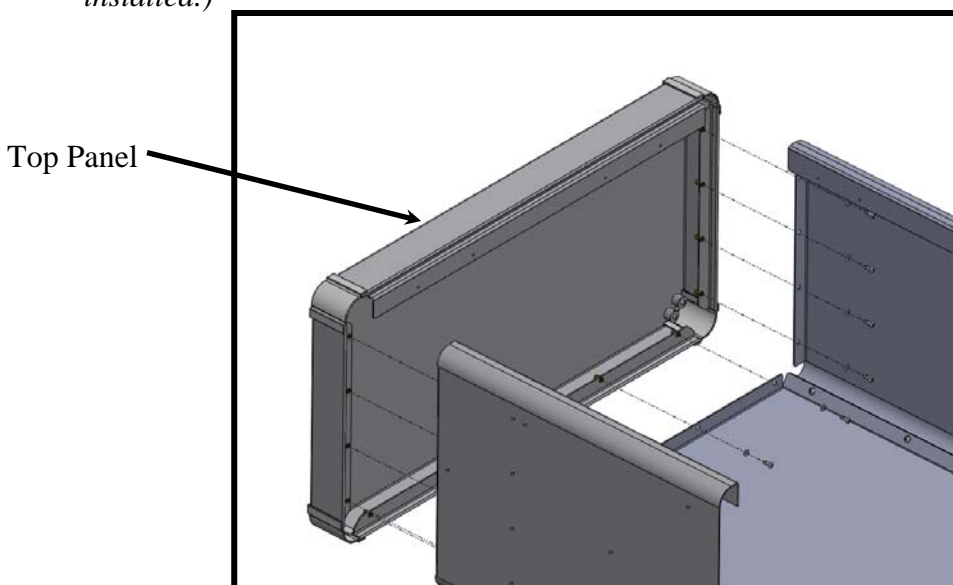


Figure 4 – Replacement and installation of top panel

Step 4 - Replacing Back and Side Panels

- a) See Step 1, 2, and 3 for removal of versatile™ 4C module, front panel and top panel.
- b) Remove all screws and bolts attached to the side panel or back panel.
- c) Replace side panel or back panel and reinstall screws. *(Do not tighten screws until all fasteners are installed.)*

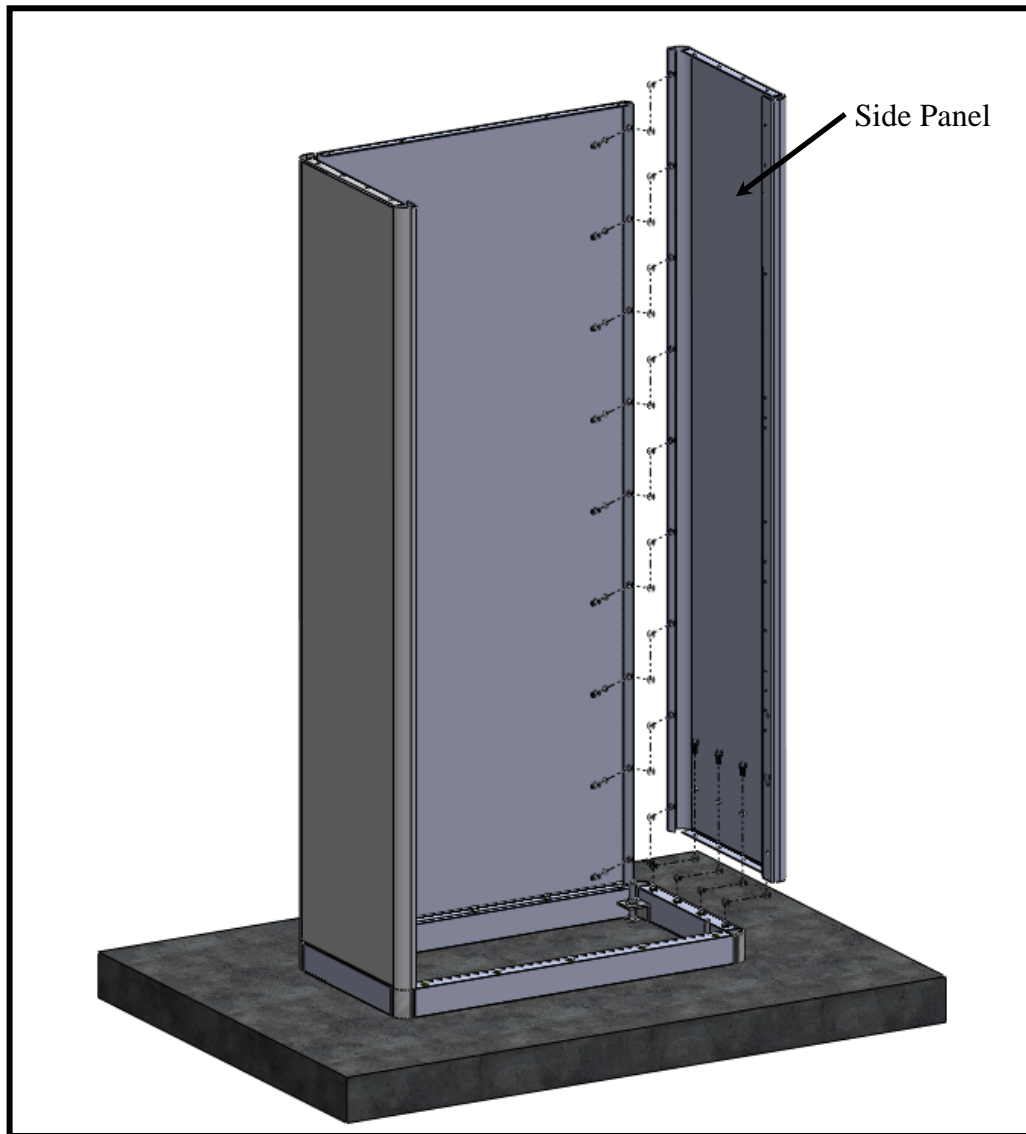


Figure 5 – Replacement and installation of side panel

Step 5 - Replacing Base Frame

- a) See step 1, 2, 3 and 4 for removal of versatile™ 4C module front panel, top panel, back panel and side panels.
- b) Remove all nuts or lag screws that anchor the base frame to the concrete pad or floor.
- c) Replace base frame and reinstall nuts or lag screws.
- d) Install side panels, back panel, top panel and front panel. Align all panels and tighten screws. *Do not over tighten screws.*

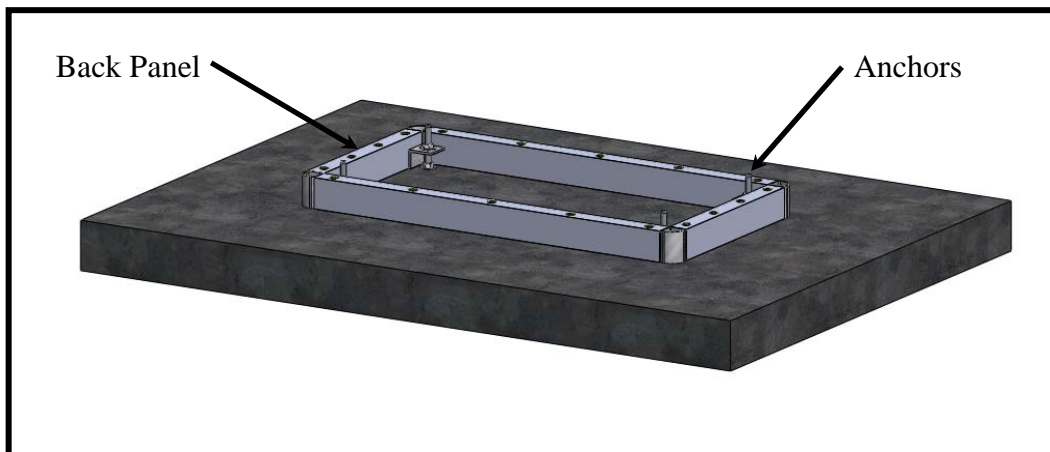


Figure 6 – Removal and reinstallation of base Frame

Leveling Suggestion (outdoor installation)

In the event the concrete pad the vario DEPOT™ is to be installed on is not level, the base frame may be adjusted. The hardware depicted in this Figure 7 is not provided with your vario DEPOT™ but is shown for illustration purposes.

- 1) Install the hex nuts on the anchors as shown in Figure 7.
- 2) Place the flat washers on the nuts.
- 3) Install the base frame onto anchors and the flat washers.
- 4) Adjust hex nuts up or down to achieve the desired level height.
- 5) Secure the base frame by installing the flat washers and hex nuts.

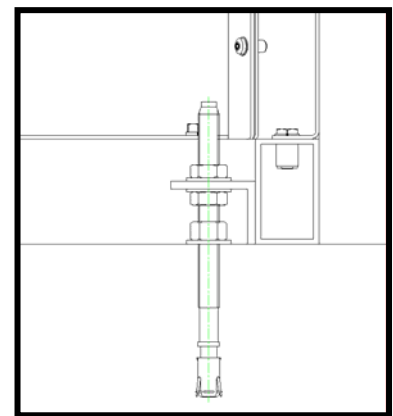
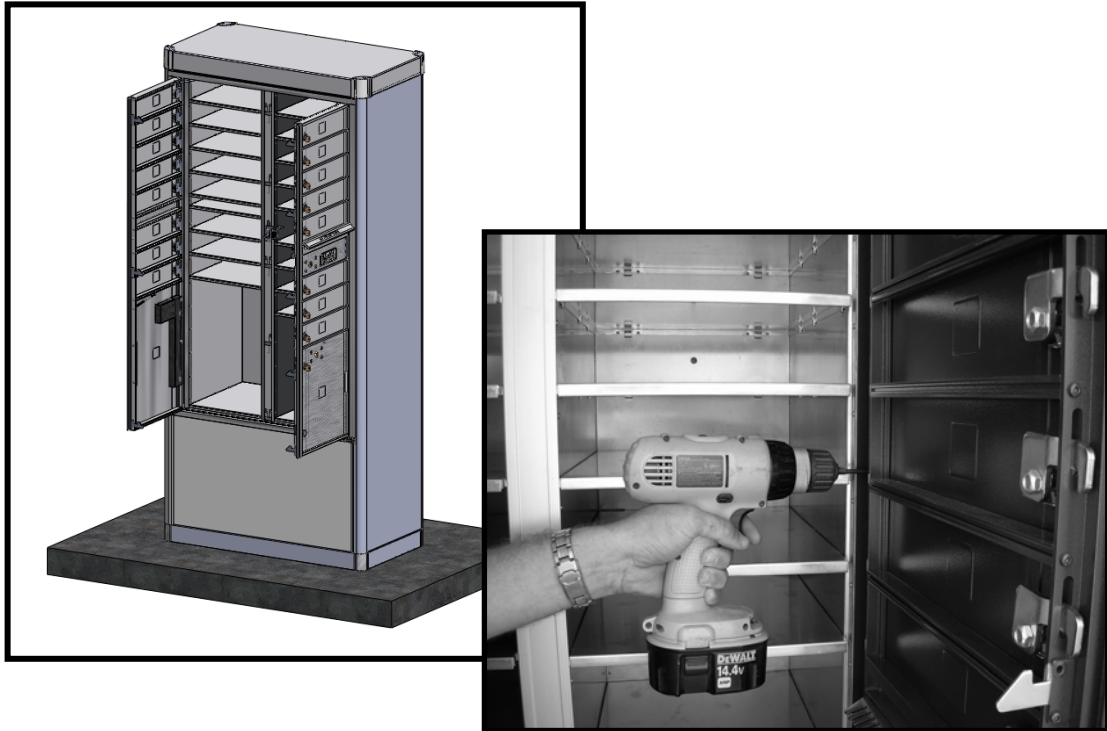


Figure 7 – Base Frame Detail

Step 6 – Reinstallation of versatile™ module

- a) Slide versatile™ module into the vario DEPOT™.
- b) Open the master load doors.
- c) Use a T-15 Torx drive to install the 64635 Screws on each side, top and bottom of versatile™ 4C mailbox. *Do not over tighten screws.*



***Thank you for purchasing Florence product!
For more downloadable product information, brochures
and technical specifications
visit us at www.florencemailboxes.com***

AF FLORENCE

manufacturing company

5935 Corporate Drive • Manhattan, KS 66503
www.florencemailboxes.com • 800.275.1747

A GIBRALTAR INDUSTRIES COMPANY

We appreciate your business.