

vario *Depot*™

4C configurable mail stand kit

Installation Instructions



AF FLORENCE
manufacturing company

5935 Corporate Drive • Manhattan, KS 66503
www.florencemailboxes.com • 800.275.1747

A GIBRALTAR INDUSTRIES COMPANY 

Congratulations on the purchase of your new vario DEPOT™ 4C configurable mail stand from Florence Manufacturing! The residents in your neighborhood or building will thank you for selecting a manufacturer with over 75 years experience in keeping mail safe. In addition, this unique and innovative product will enhance the property on which you are installing it for years to come.

Florence products are well known for their great design, high levels of performance, and are trusted by builders and property owners across the nation and in Canada alike. Your new vario DEPOT™ mail stand is no exception. Originating from the desire for more architecturally pleasing design options for centralized delivery – The U.S. Postal Service’s preferred method of mail delivery for new developments - vario DEPOT™ mail stands provide you with flexible, turnkey centralized mail/community station solution for you and your neighbors. While good design may stand out - the excellent vario DEPOT™ design fits in!

If for any reason you need assistance with installation, or have questions on included parts for your vario DEPOT™ mail stand, please do not hesitate to contact your local Authorized Florence Dealer. Additionally, you may download pad specifications and/or other technical documents at www.florencemailboxes.com.

The vario DEPOT™ mail stand’s unique design ensures your mailbox system will be in compliance with the U.S. Postal Service’s STD-4C, the latest regulation and installation requirements for wall mounted mailboxes. Please see diagram below for illustration purposes:

U.S. Postal Service STD-4C installation guidelines require the following:

1. *At least one customer compartment shall be positioned less than 48 inches from the finished floor.*
2. *No parcel locker compartment (interior bottom shelf) shall be positioned less than 15 inches from the finished floor.*
3. *No patron (tenant) lock shall be located more than 67 inches above the finished floor.*
4. *No customer compartment (interior bottom shelf) shall be positioned less than 28 inches from the finished floor.*
5. *The USPS Arrow lock shall be located between 36 and 48 inches above the finished floor.*

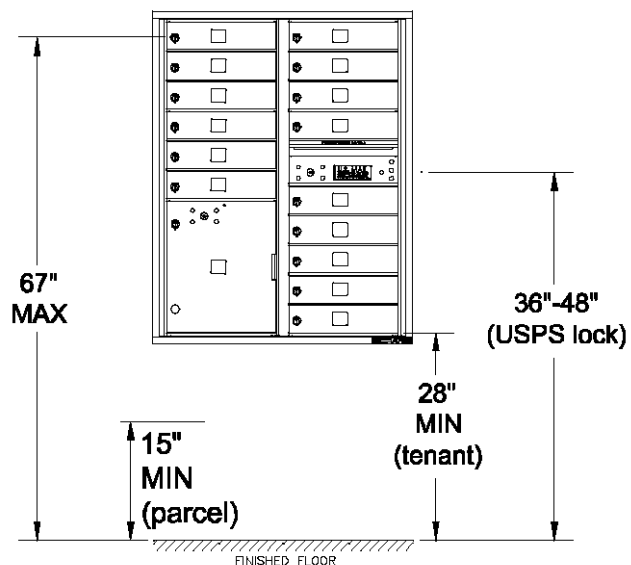


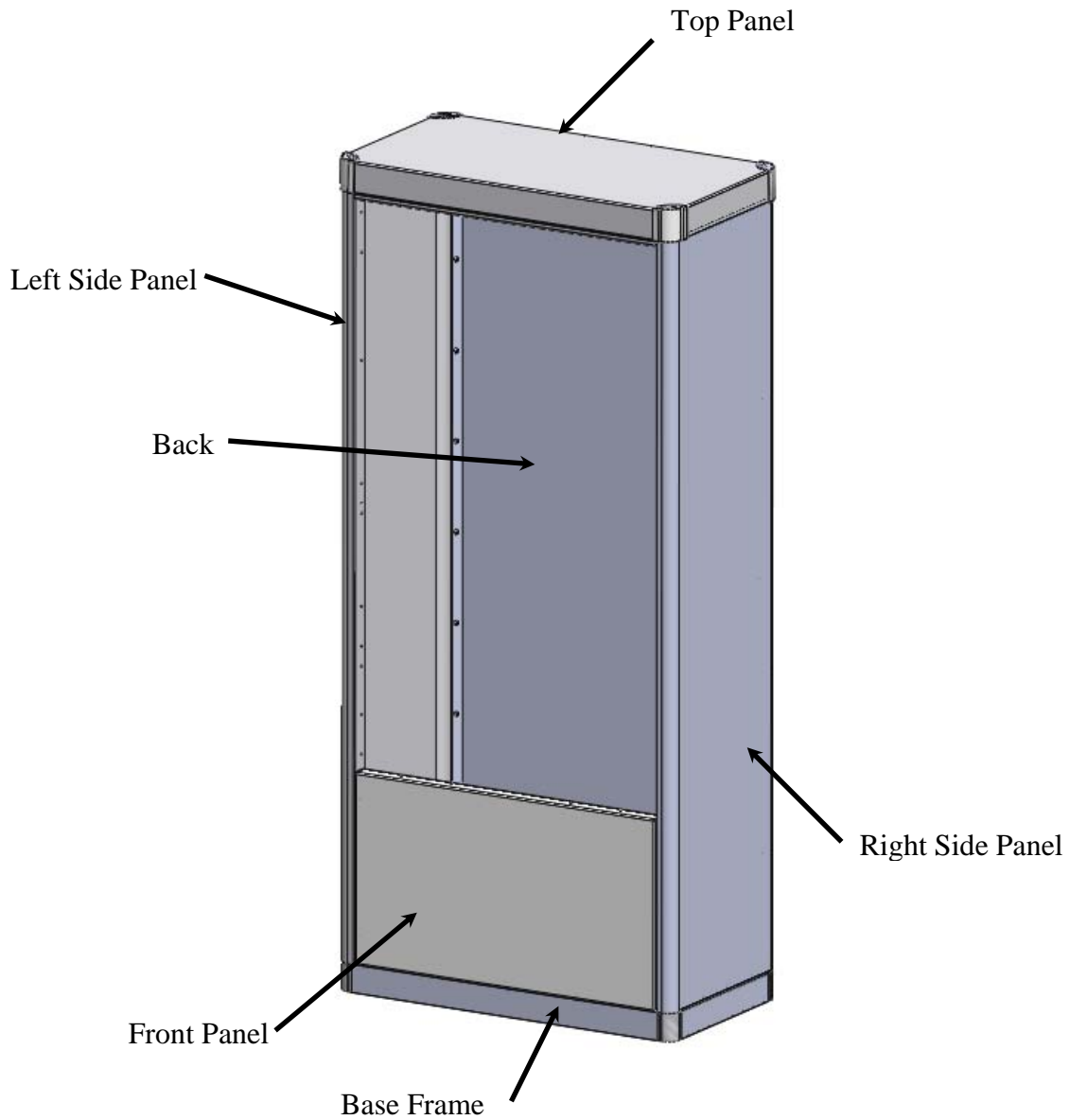
Table of Contents

Get to Know Your vario DEPOT™	4
Hardware List	5
Step 1 – Anchoring Options	6
Step 2 - Install Base Frame	8
Step 3 - Install Side Panels	10
Step 4 - Adjust vario DEPOT™ and Tighten Hardware	13
Step 5 - Install Front Panel	14
Step 6 - Install versatile™ Mailboxes or Accessory Modules	15

Technical References: Pad specifications, dimensions, and other product specifications are available to download at www.florencemailboxes.com/downloads

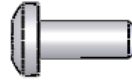
Get to Know Your vario DEPOT™

Before the assembly process begins, please review the illustration below. The major components that you will be working with and that are referred to in this instruction manual are identified so as you are installing your vario DEPOT™ mail stand, you will be familiar with the terms that are used.



Hardware List

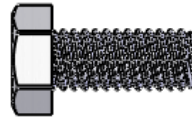
Hardware Kit illustrated here is shown full scale. Not all hardware will be used in all applications. This list is for identification purposes only.



(45) 48291 Screw, 10-32 x 1/2" T-20 Torx



(24) 64635 Screws, #8-32 x 1" T-15 Torx



(20) 34423 Screws, Hex Head 5/16-18 X 3/4"



(45) 4530194 Washer, 3/16 ID x 7/16 OD



(20) 34428 Washer, Lock 5/16 Med. Spring

Note: Anchors are **NOT** included – furnished by others. Suggested anchor hardware for outside installation on concrete pad is Hilti™ anchoring system, KB-TZ Kwik Bolt TZ (KB-TZ 1/2 X 7) or similar. Anchor hardware, or inside installations will depend on subfloor composition. Consult local building codes.

Suggested Tools for Installation

- 1/2" socket with Ratchet 1/2" wrench
- 1/2", 3/4" and 15/16" wrench or large crescent wrench
- Cordless drill with proper socket adapter(s)
- Hammer drill with 1/2" masonry bit
- Air tank or vacuum to remove dust from holes that are drilled in concrete
- Hammer and Rubber mallet
- Screw driver or taper punch for aligning mating holes
- Torx-Plus driver bit - #20
- Level
- 10' tape measure

Step 1 – Anchoring Options

- a) **Outdoor Installation Anchoring-** to properly secure your vario DEPOT™ mail stand to achieve 90 mph or 150 mph wind rating, we recommend the use of Hilti Kwik Bolt TZ anchors or similar anchoring systems. Locate where the base frame anchor holes are to be drilled using the foundation dimensions shown in *Figures 3 through 6*.
- b) **Indoor Installation Anchoring-** hardware to anchor your vario DEPOT™ inside will depend on the subfloor composition and local building codes requirements. Consult your local building code regulations before installing this product inside.

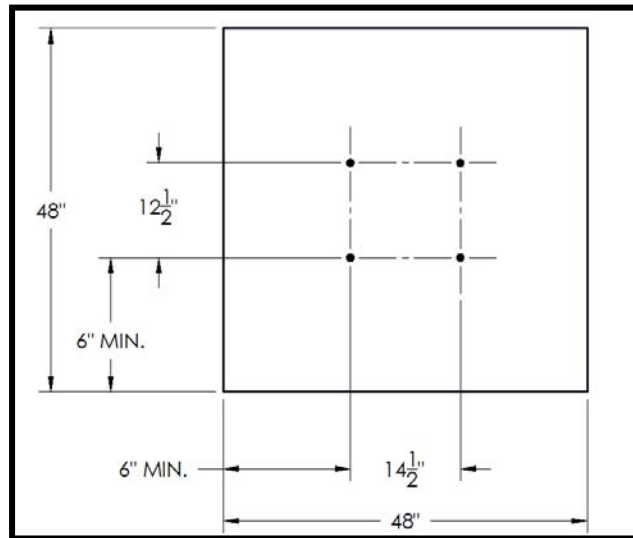


Figure 3 – vario DEPOT™ **Single Column** Anchor Hole Locations

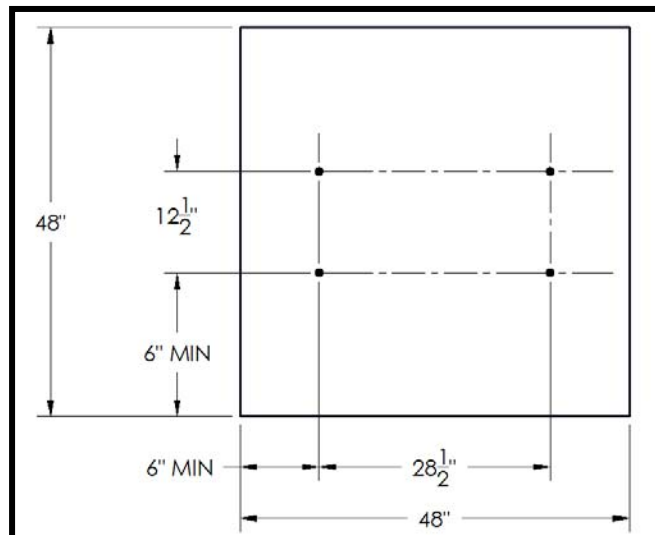


Figure 4 – vario DEPOT™ **Double Column** Anchor Hole Locations

Hint: The vario DEPOT™ base frame can also be used to help determine the distance between the mounting holes.

Multi-Unit vario Depot™ Installation

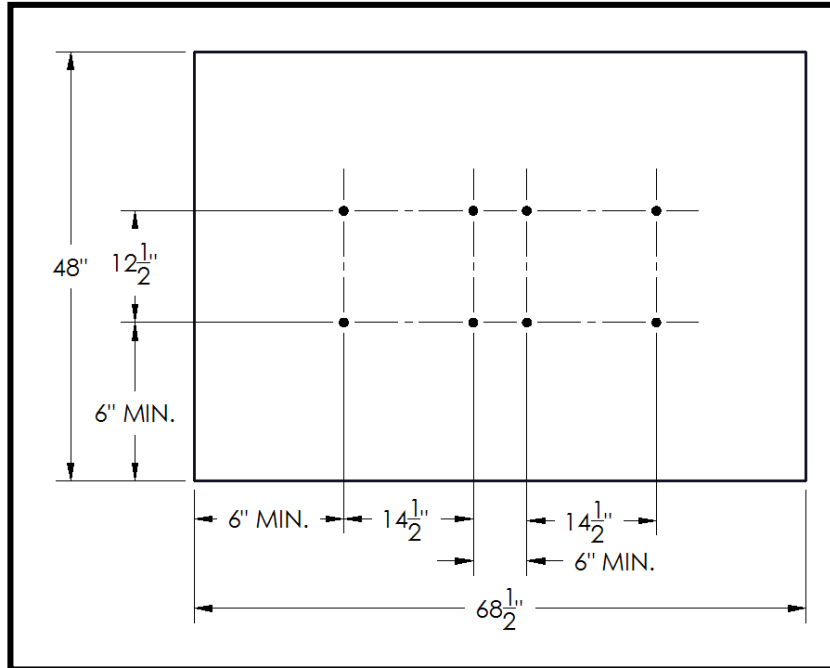


Figure 5 – vario DEPOT™ **Single Column** Anchor Hole Location multi-unit

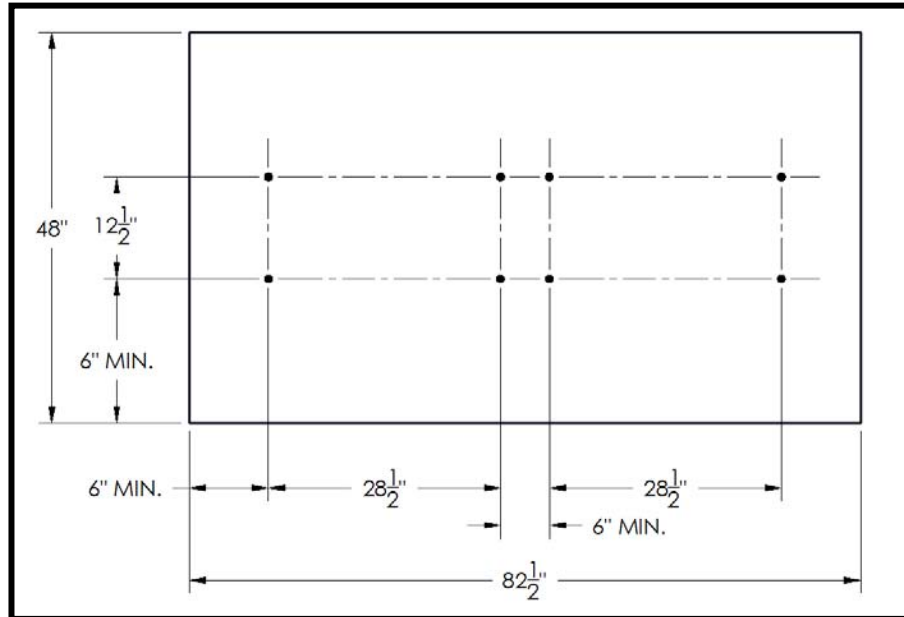


Figure 6 – vario DEPOT™ **Double Column** Anchor Hole Location multi-unit

NOTE: The minimum separation distance of 1/8" between each vario DEPOT™ unit or 6" minimum between each anchor is recommended to avoid rubbing between the units.

Step 2 - Install Base Frame

- a) Place the base frame into the correct position. Drill holes in the concrete or subfloor while the base frame is in position.
- b) Install the anchors. Refer to anchor manufacturer installation instruction for proper installation.
- c) Loosely install the nuts on the anchors and level base frame and tighten hardware. *Do not over tighten hardware.*
- d) In the event the concrete pad is not level, refer to figure 9 on page 9 for DEPOT™ leveling suggestions.

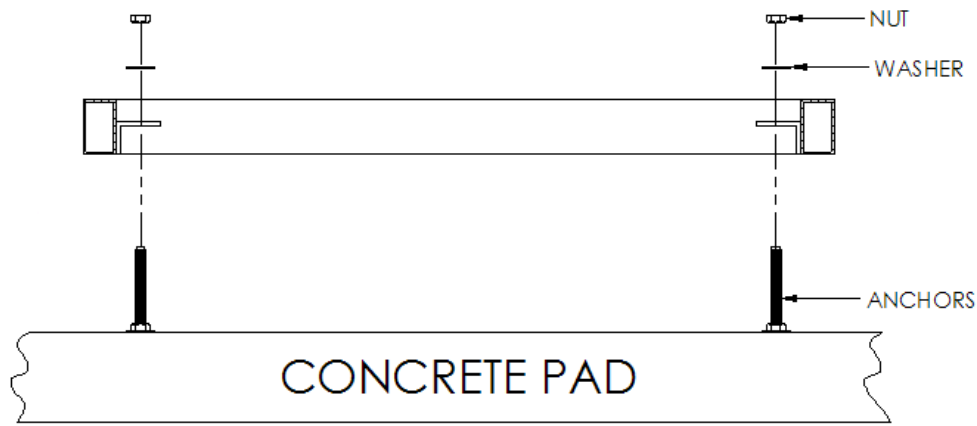


Figure 7 – Base frame mounting detail-Outdoor Installation

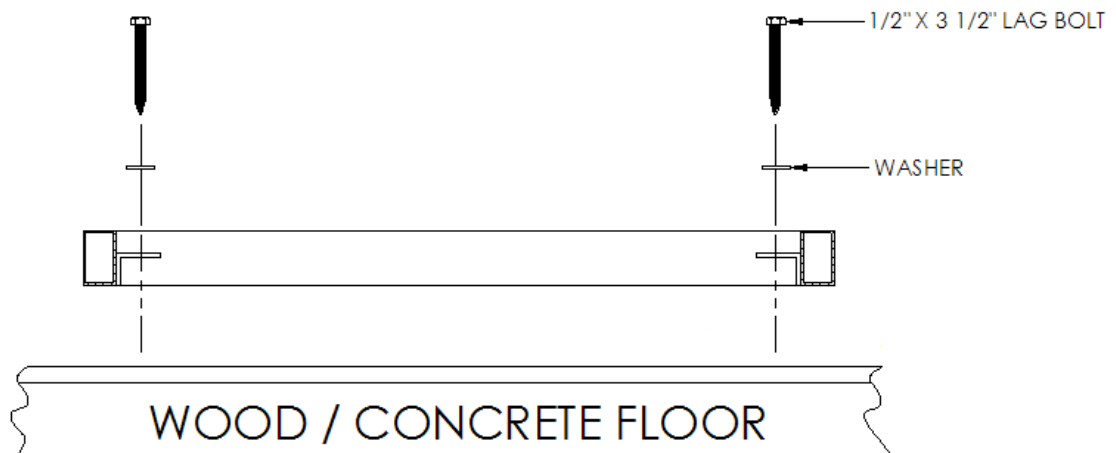


Figure 8 – Base frame mounting detail-Indoor Installation

NOTE: Anchor hardware for indoor installation mounting is not included and will depend on subfloor composition and local building code requirements.

Leveling Suggestion (outdoor installation)

In the event the concrete pad is not level, the base frame may be adjusted. The hardware depicted in this figure 9 is not provided with your vario DEPOT™ but is shown for illustration purposes.

- 1) Install the hex nuts on the anchors as shown in Figure 9.
- 2) Place the flat washers on the nuts.
- 3) Install the base frame onto anchors and the flat washers.
- 4) Adjust hex nuts up or down to achieve the desired level height.
- 5) Secure the base frame by installing the flat washers and hex nuts.

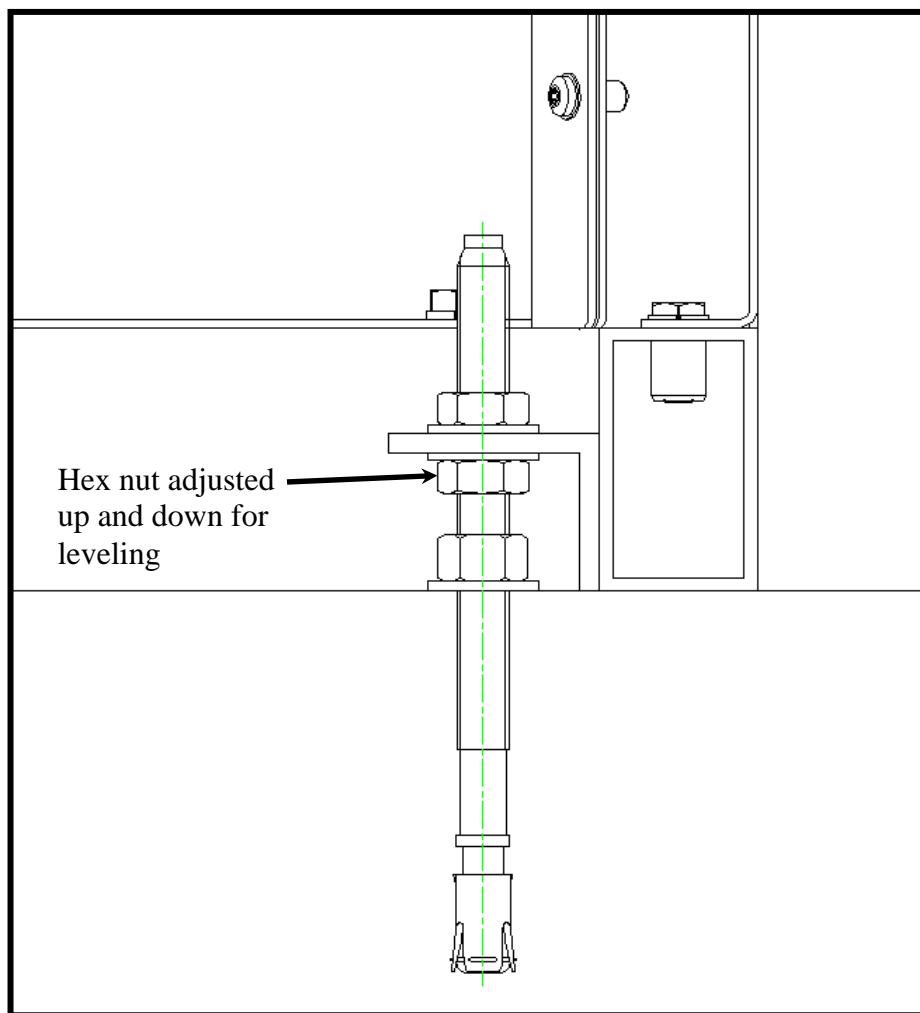


Figure 9 – Base Frame Detail

Step 3 - Install Side Panels

- a) After base frame is level and hardware is attached determine which is the left side panel.
NOTE: Left Side is marked with a letter “L” on the top of the panel.

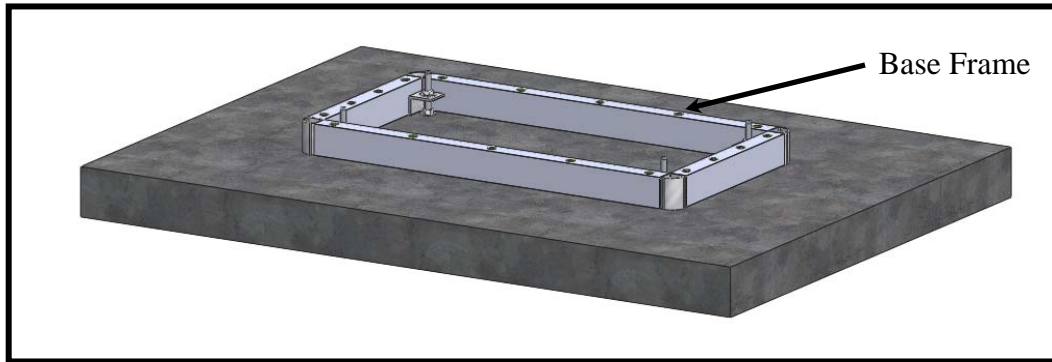


Figure 10 – Base frame mounted to concrete pad or floor

- b) Attach the left side panel to the base frame using 34423 screws and 34428 Lock Washers shown in Figure 11. **Do not tighten screw until DEPOT™ is fully assembled.**

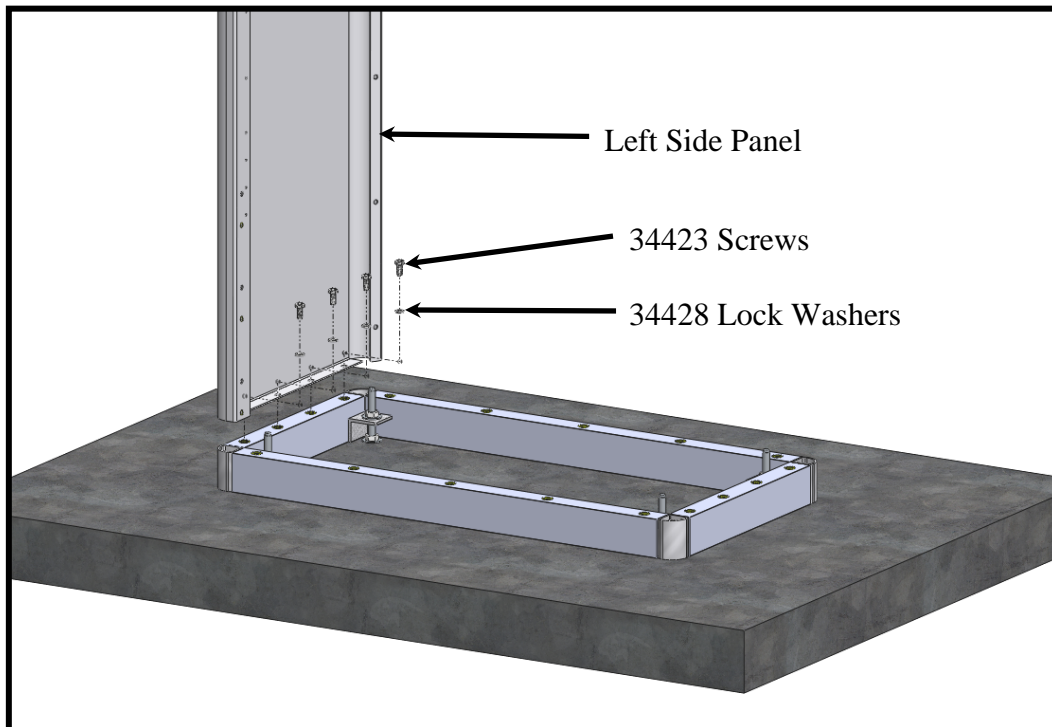


Figure 11 – Installation of left side panel

- c) Install back panel to left side panel and base frame using 48291 Screw, 30194 Washer, 34423 Screw, and 34428 Lock Washer. *Do not completely tighten hardware yet.*

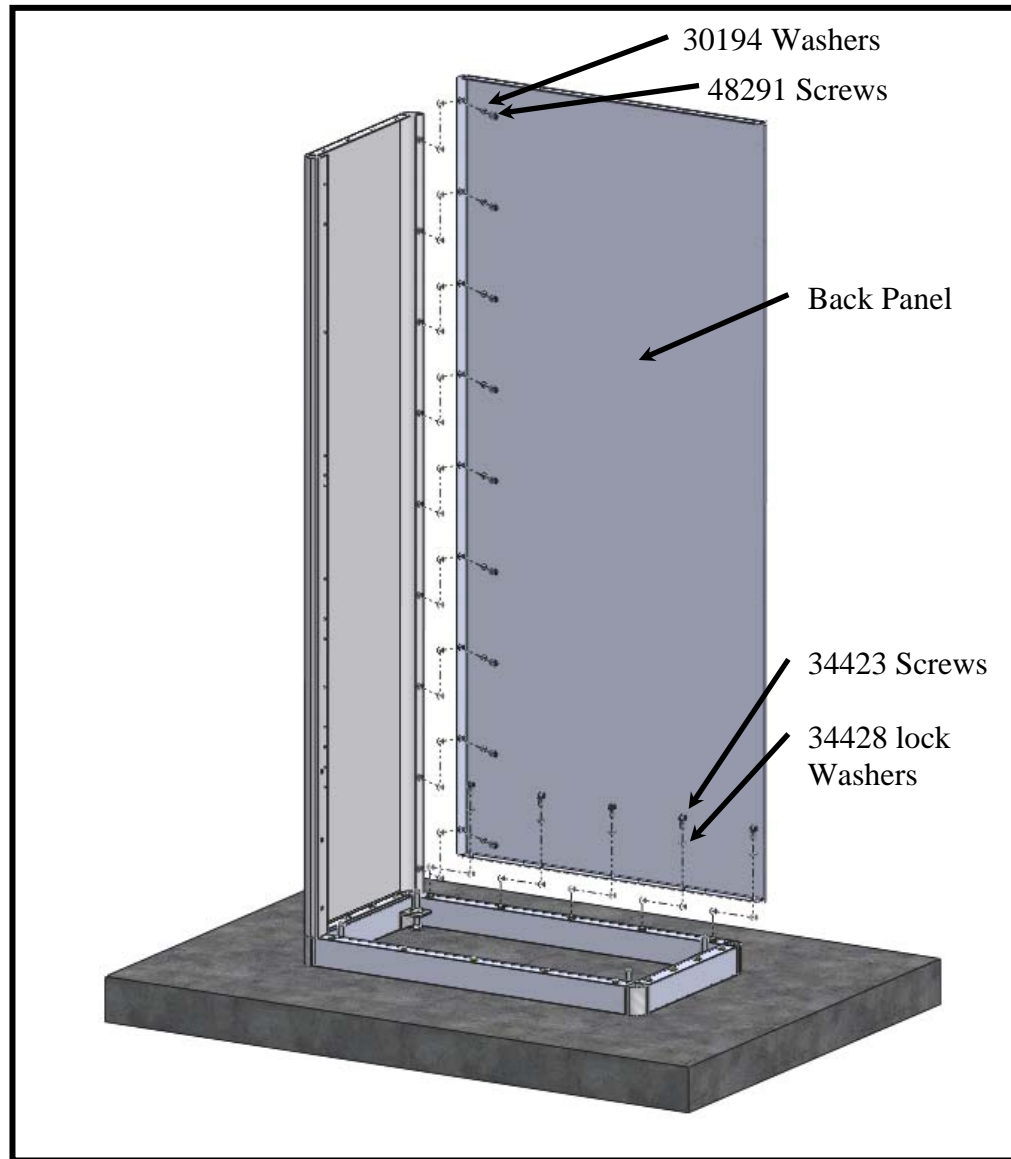


Figure 12 – Installation of back panel

- d) Install right panel to back panel and base frame using 48291 Screw, 30194 Washer, 34423 Screw, and 34428 Lock Washer. *Do not completely tighten hardware yet.*

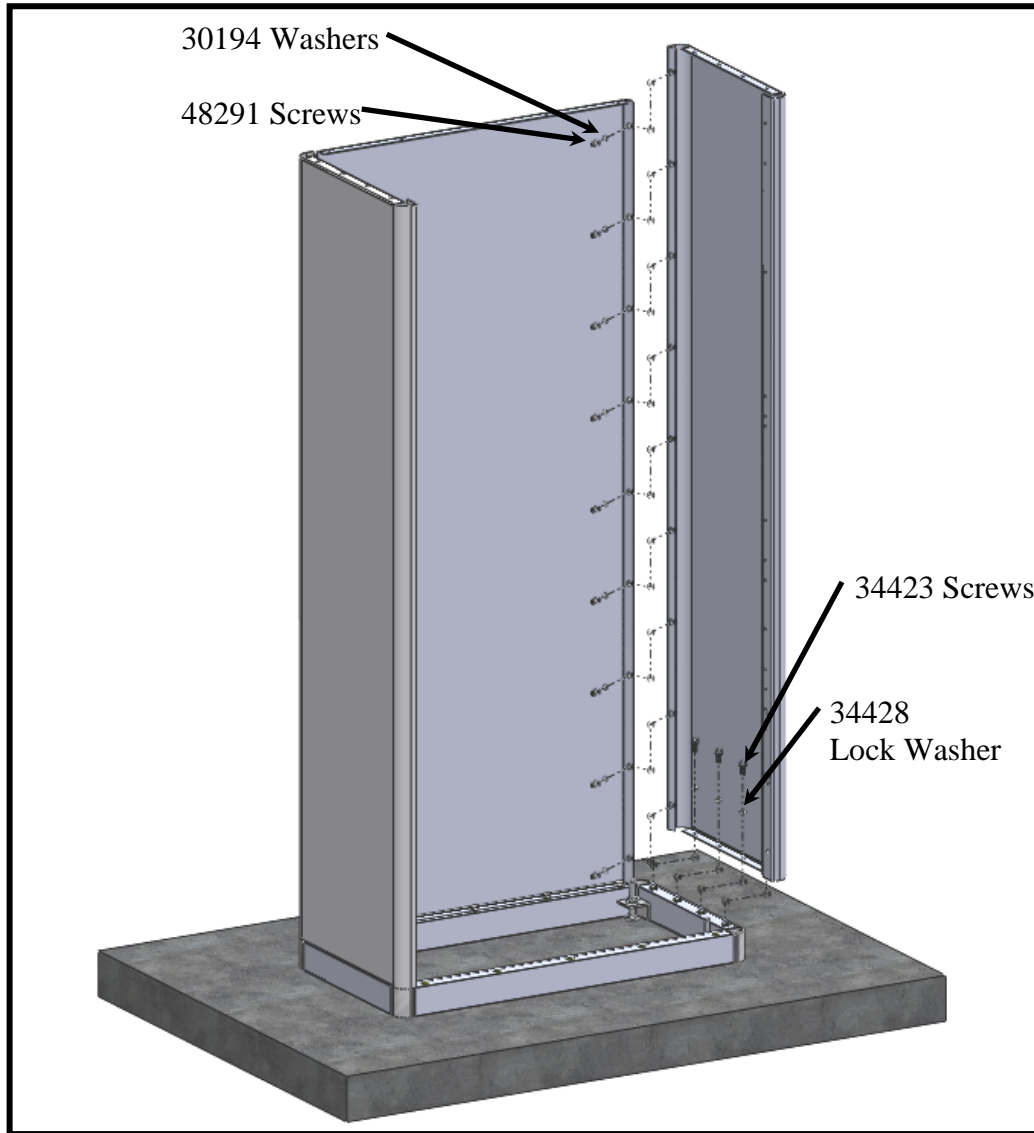


Figure 13 – Installation of right side panel

- e) Install top panel to left and right side panel and back panel using 48291 Screw, 30194 Washer. *Do not completely tighten hardware yet.*

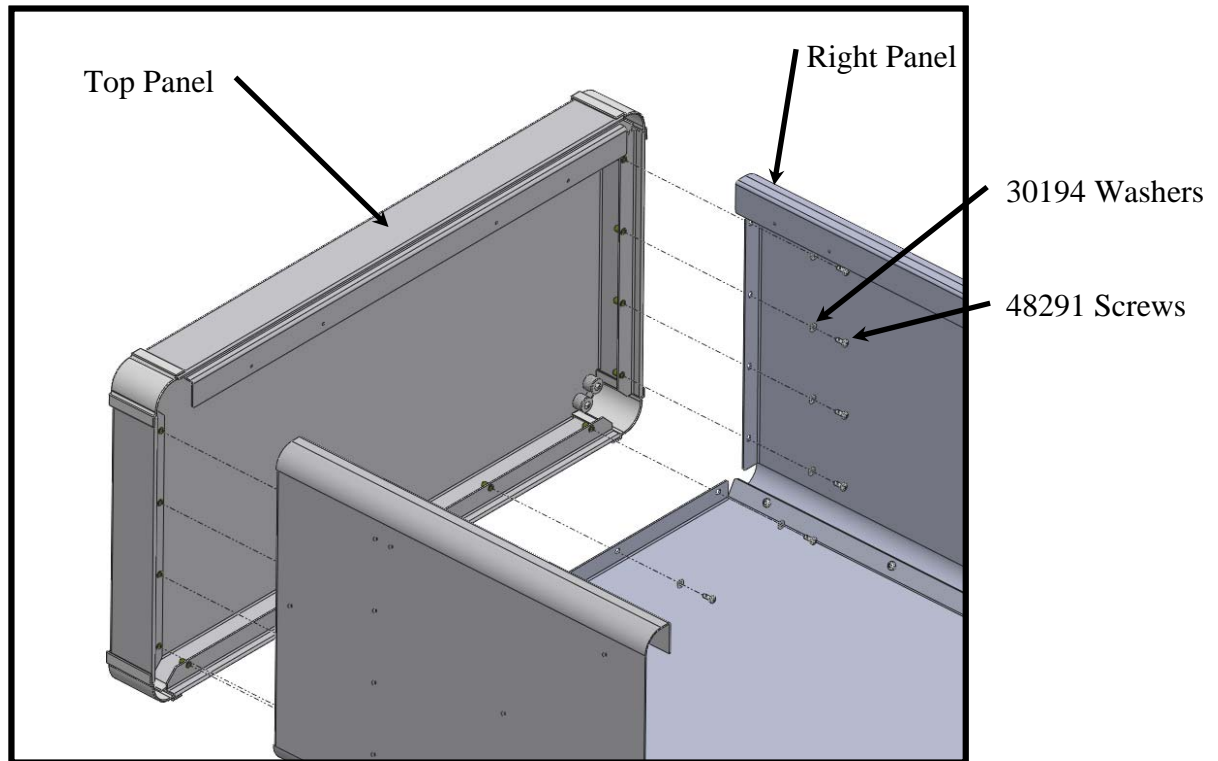


Figure 14 – Installation of top panel

Step 4 - Adjust vario DEPOT™ and Tighten Hardware

Ensure that all vario DEPOT™ components are plumb and square, and seams are aligned, and then tighten all hardware. A level and square might be helpful.

Be careful not to strip the threads of the bolts and screws when tightening! Don't over tighten!

Tighten hardware in the order listed below:

- a) Align and tighten sides and back panel to base.
- b) Tighten all screws on the top panel.

Step 5 - Install Front Panel

- a) Install the 34428 lock washers and 34423 screws first. Do not tighten screws. Next install 30194 washers and 48291 screws. Align front panel to left and right side panels and tighten all screws. See Figures 15

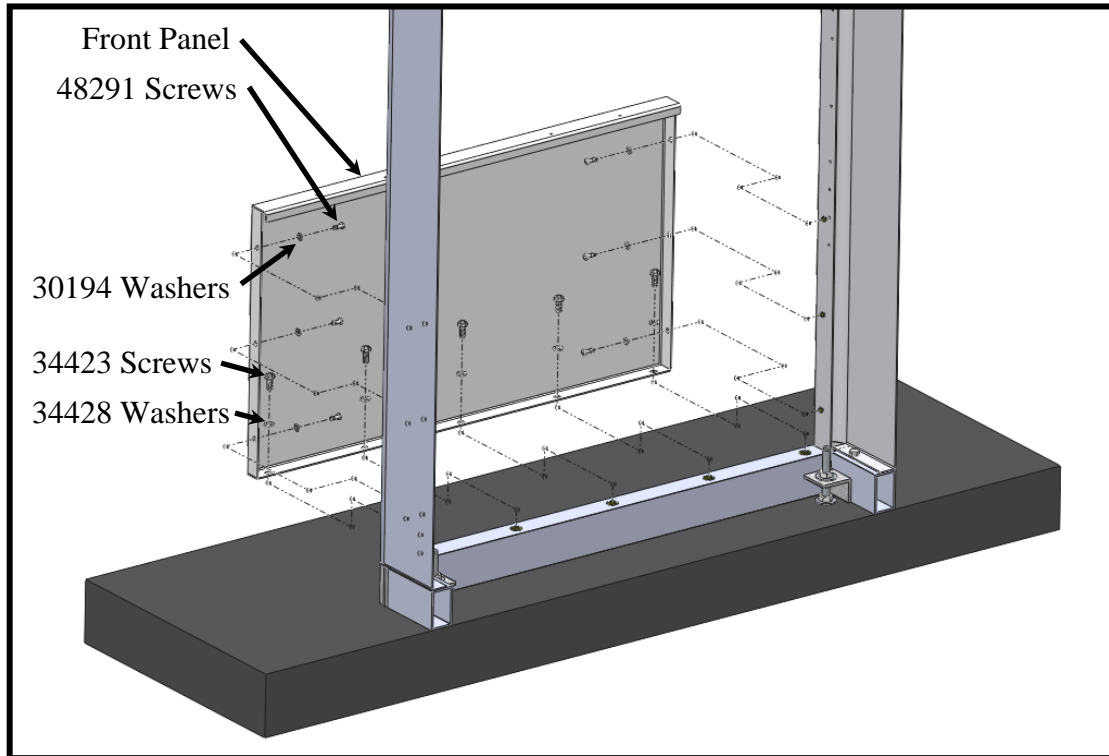


Figure 15 – Installation of front panel

Your vario DEPOT™ mail stand kit is now fully assembled and ready for your Florence versatile™ 4C mailbox suites or accessories.

Step 6 - Install versatile™ Mailboxes or Accessory Modules

The following steps are to install your Florence versatile™ module directly into the vario DEPOT™ mail stand. For more product detail, please refer to the installation instructions included with your Florence versatile™ product module.

- a) Place the bottom of the versatile™ module into the DEPOT™ as shown in *Figure 16*.

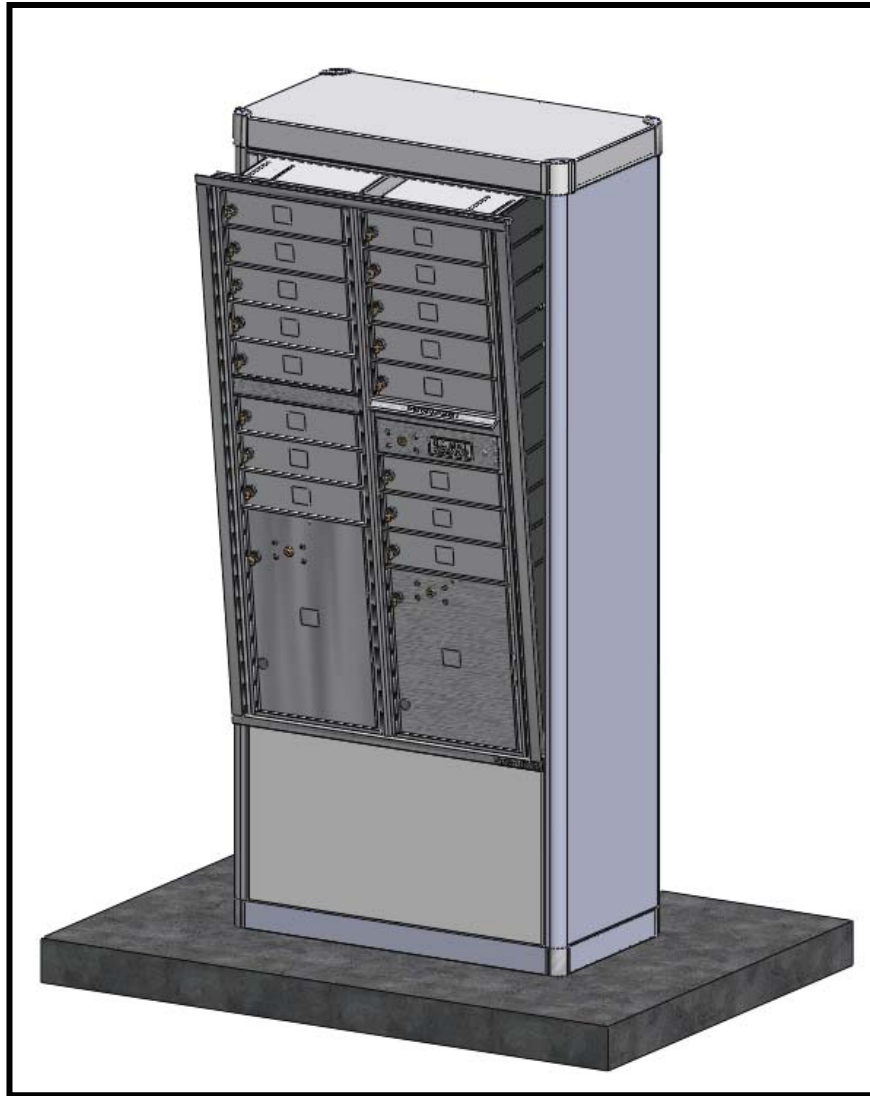


Figure 16 – Installation of versatile™ module

NOTE: Versatile™ 4C mailbox module 4CCT2-16 shown for illustration purposes only- sold separately

- b) Tilt the top of the module completely into the DEPOT™. Make sure the mailbox trim is flush against the front of the DEPOT™ stand. *See Figure 17.*

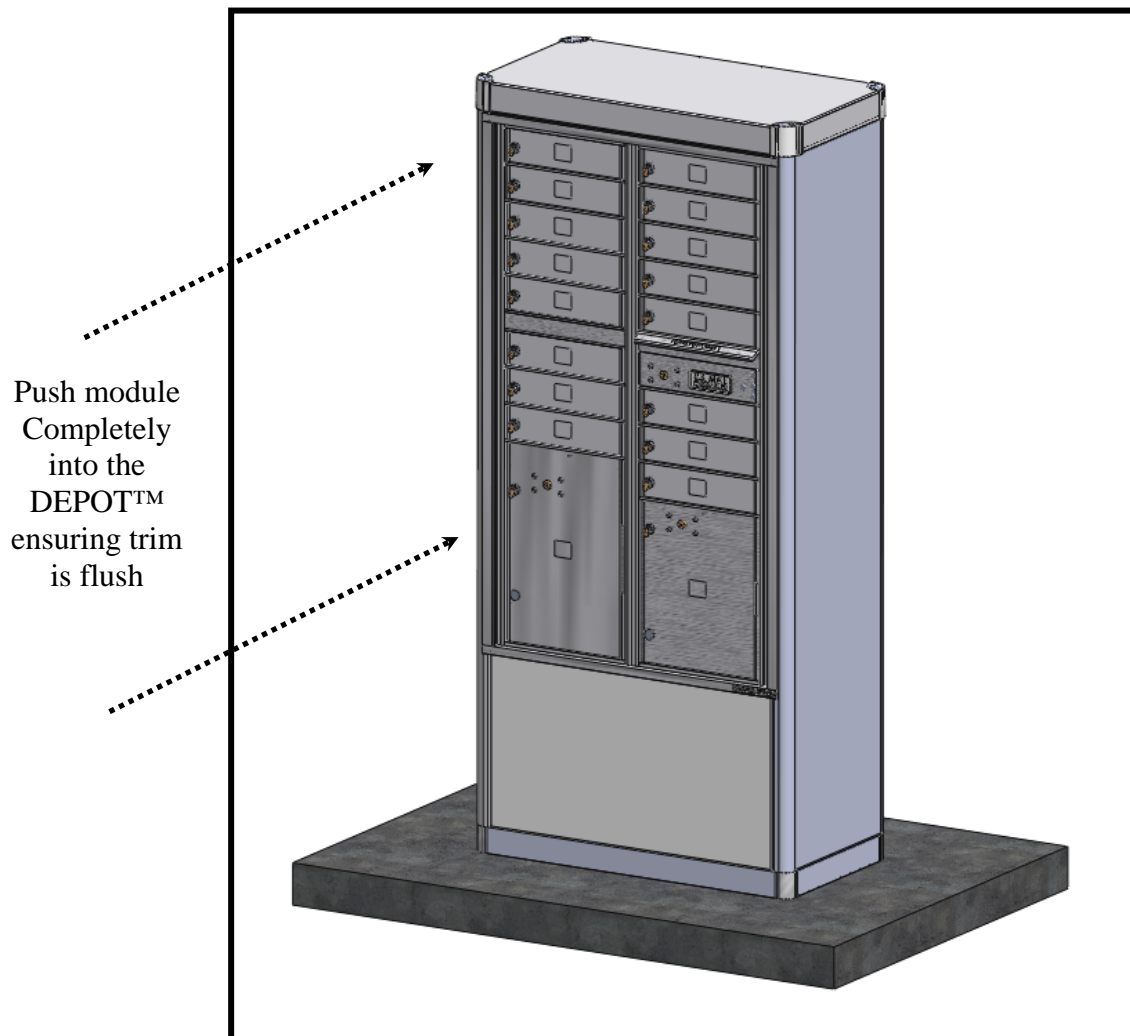


Figure 17 – Installation of versatile™ module

- c) Open the master doors of the versatile™ module so the hold-open arms secure the doors in the open position. See Figure 18.

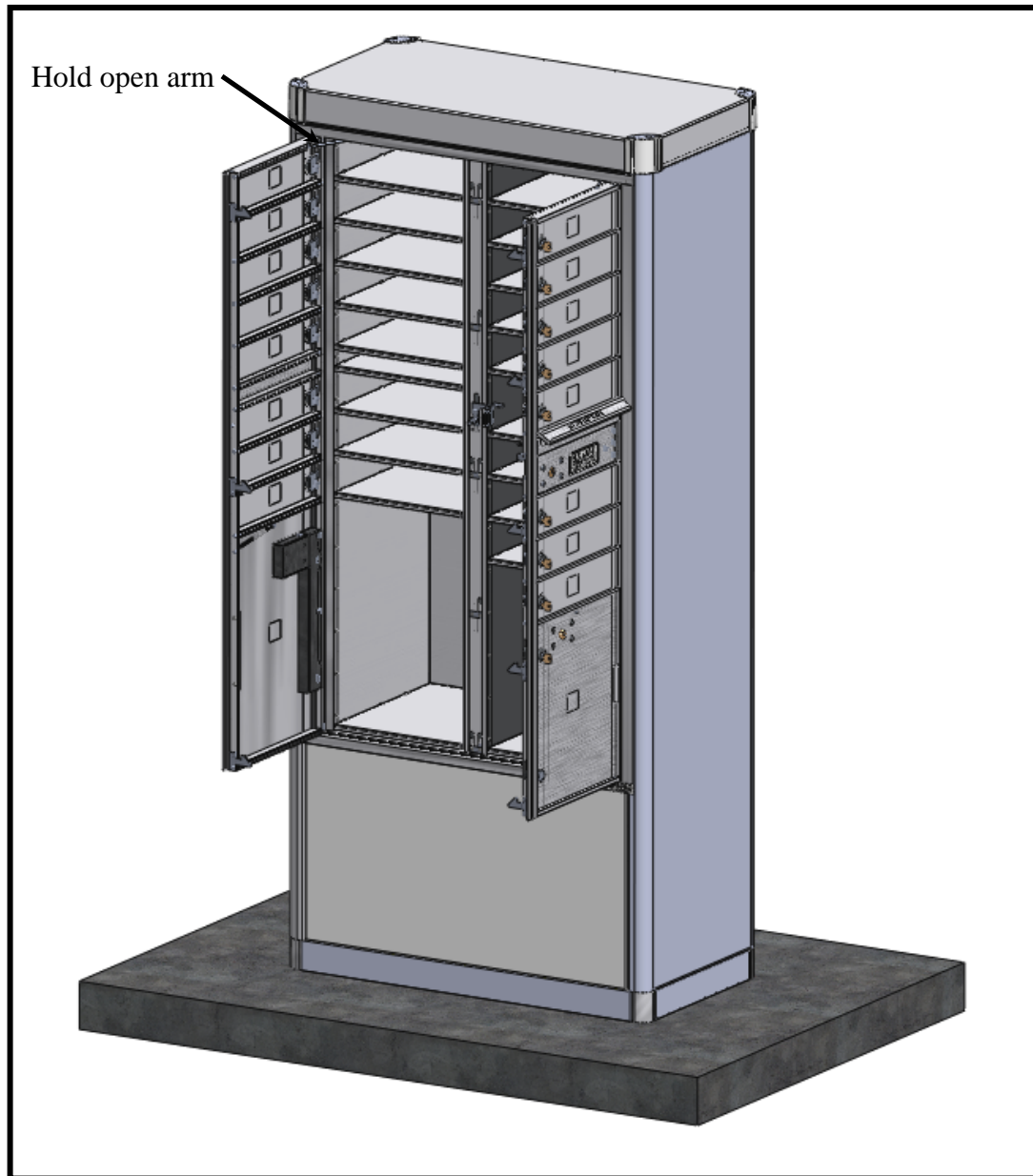


Figure 18 – versatile™ 4C mailboxes shown with master load doors open

- d) Using the 64635 screws provided with the DEPOT™, secure the module into the DEPOT™. *See Figure 19.*
- e) Close the master load doors.

NOTE: Number of screw locations will vary depending on size and style of versatile™ module being installed. Please consult the product installation guide included with your versatile™ module for information specific to the product.



Figure 19 – Securing versatile™ module to DEPOT™ stand

Congratulations! Your vario DEPOT™ mail stand is now ready!

Refer to installation instructions included with your Florence versatile™ product module for setup.

Thank you for purchasing Florence products!

For more downloadable product information, brochures and technical specifications visit us at www.florencemailboxes.com

We appreciate your business.