

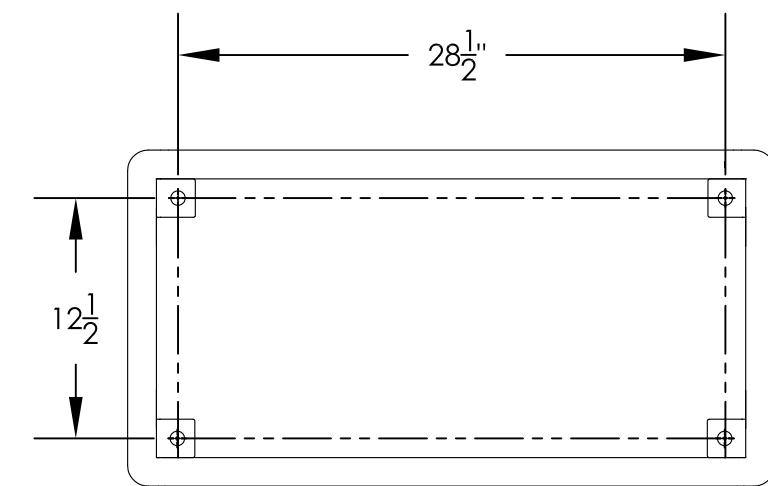
For illustration purpose only. versatile™ mailbox sold separately.

Front panel (See note #2)

Base frame

Top panel

Side panel



Base frame hole pattern

NOTES:

- Accommodates all versatile™ double-column modules in Suites B, D, & I.
- *2. Front panel dimension changes based upon versatile™ selection in order to comply with USPS STD - 4C installation requirements. Front panel dimensions represent *bottom of R.O. height* as measured from finished floor.
- May be installed outside or inside - see foundation specification documents for details.
- All aluminum construction with durable powder coat finish.
- Shipped flat for ease of handling.

PRODUCT SERIES: VARIO™ DEPOT			
ACCOMODATES SUITE B, D, & I DOUBLE COLUMN			
AF FLORENCE manufacturing company		MODEL DEPS2	REV A
5935 Corporate Drive ° Manhattan, KS 66503 www.florencemailboxes.com ° (800) 275-1747		SCALE 1:10	LAST REV DATE 4/20/09
A GIBALTAR INDUSTRIES COMPANY		DRAWING NUMBER DEPS2CS	DRAWN BY NBC SHEET 1 OF 1