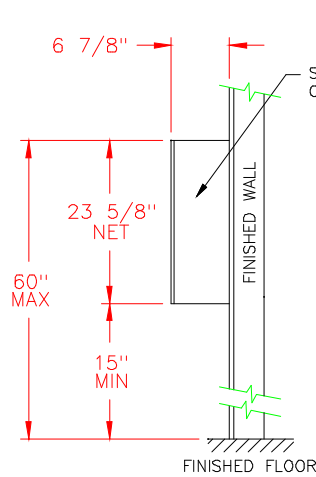
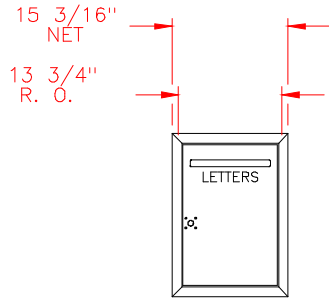
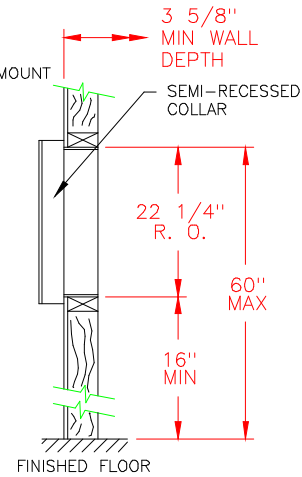


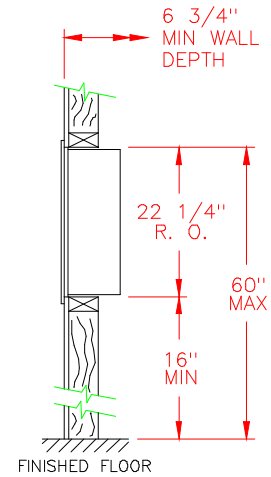
130SM, 130SR, 130R COLLECTION BOX



SURFACE
MOUNT
130SM



SEMI-
RECESSED
130SR



RECESSED
MOUNT
130R

INSTALLATION NOTES FOR 130R/130SR

1. CUT AN OPENING IN THE WALL, AT A DESIRED LOCATION, IN ACCORDANCE WITH THE ROUGH OPENING DIMENSIONS AS SHOWN.
2. INSERT COLLECTION BOX INTO OPENING
3. DRILL (2) HOLES THROUGH THE SIDES OF THE BOX INTO THE FRAME OPENING FOR #8 SCREWS
4. IF REQUIRED, REMOVE COLLECTION BOX FROM OPENING AND INSTALL ANCHORS INTO MOUNTING HOLES.
5. MOUNT COLLECTION BOX INTO OPENING USING (4) #8 SCREWS.

INSTALLATION NOTES FOR 130SM

1. PLACE COLLECTION BOX AGAINST THE WALL AT DESIRED LOCATION
2. OPEN COLLECTION BOX DOOR. USING THE PRE-DRILLED HOLES IN THE REAR PANEL OF THE BOX AS A TEMPLATE, MARK (4) MOUNTING HOLE LOCATIONS ON THE WALL.
3. DRILL (4) PILOT HOLES FOR #8 SCREW AT THE MARKS ON THE WALL.
4. IF REQUIRED, REMOVE COLLECTION BOX FROM THE WALL AND INSTALL ANCHORS INTO MOUNTING HOLES.
5. MOUNT COLLECTION BOX ONTO WALL USING (4) #8 SCREWS.

MATERIALS: DOOR & FRAME EXTRUDED ALUMINUM
BOX .028 GALVANIZED STEEL

FINISHES: ALUM.(CLEAR), GOLD & BROWN

FRONT DOOR: PREPARED FOR POSTAL LOCK OR SPECIFIED

LETTERING: 1" HI TEXT OR SPECIFIED

MAIL SLOT: 1 1/4" X 11" OR SPECIFIED

U.S.P.S. APPROVED 4/13/90

AUTH *AF* FLORENCE
MANUFACTURING COMPANY
5935 CORPORATE DRIVE
MANHATTAN KANSAS 66503