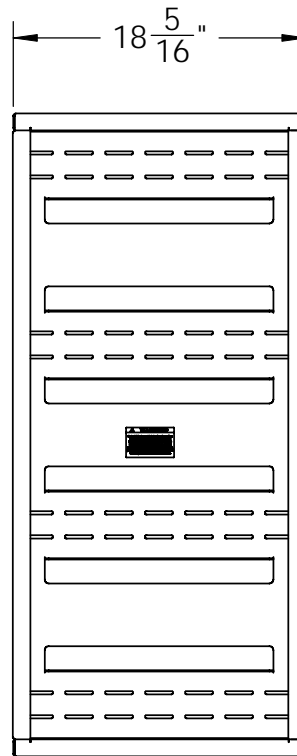
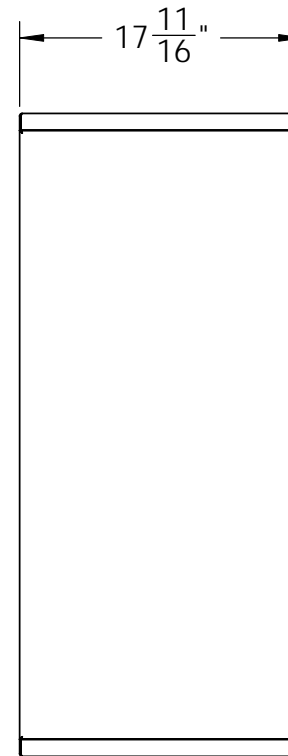


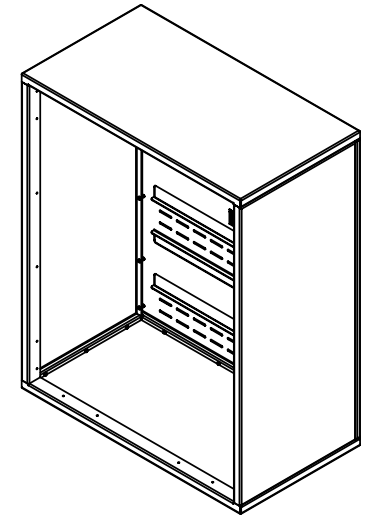
FRONT VIEW
DOUBLE COLUMN



FRONT VIEW
SINGLE COLUMN



SIDE VIEW



HEIGHT
SEE TABLE
VARIES BY
4C SUITE

4C COLLAR HEIGHT CHART

4C UNIT	HEIGHT
SUITE A	40 3/16"
SUITE B	19 3/16"
SUITE C	52 7/16"
SUITE D	22 11/16"
SUITE E	29 11/16"
SUITE F	57 11/16"
SUITE G	55 15/16"
SUITE H	41 15/16"
SUITE I	45 7/16"

MULTI-UNIT INSTALLATION NOTE:

THE SUM OF ACTUAL 4C COLLAR(S) EQUALS THE TOTAL ACTUAL WIDTH.

PRODUCT SERIES:
SURFACE MOUNT COLLAR FOR
versatile 4C mailbox suites

AF FLORENCE
manufacturing company
5935 Corporate Drive • Manhattan, KS 66503
www.auf-florence.com • (800) 275-1747

A GIBRALTAR INDUSTRIES COMPANY

MODEL: 4C COLLAR	REV: B
SCALE: 1:12	DATE DRAWN: 8/7/2008
DRAWING NUMBER: 4CCOLLARCS	DRAWN BY: OSW