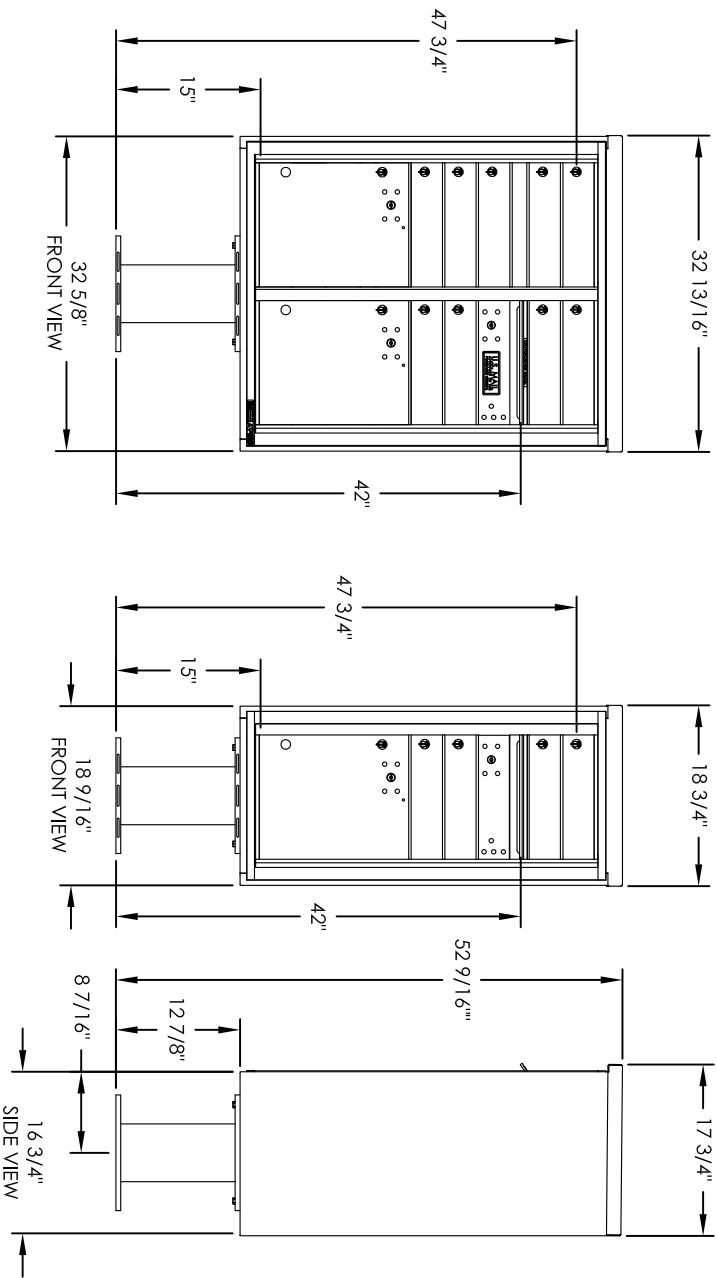
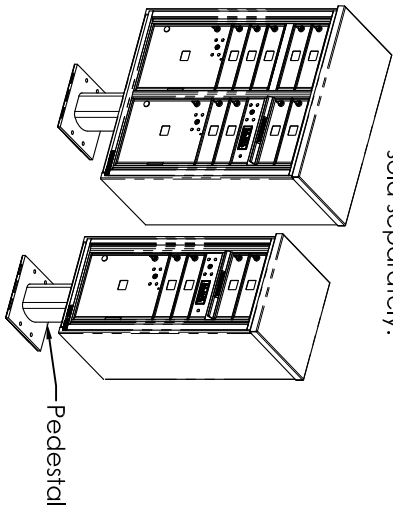


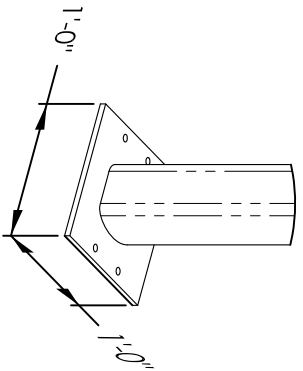
# versatile™ 4C Pedestal Mount Unit, Suite I



For illustration purpose only. versatile™ mailbox sold separately.



PEDESTAL BASE



**NOTES:**

1. Accommodates all single- or double- column versatile™ 4C mailbox and accessory modules in Suite I.
2. Pedestal units are for private applications only.
3. Mailboxes sold separately and are USPS Approved products.
4. All aluminum construction with durable powder coat finish.

PRODUCT SERIES: versatile™ 4C PEDESTAL MOUNT UNIT, SUITE I		MODEL: 4CPI		REV: -
		SCALE: NONE	LAST REV DATE: 10/22/2010	
5935 Corporate Drive • Manhattan, KS 66503 www.florencemailboxes.com • (800) 275-1747		DRAWING NUMBER: 4CPICS	DRAWN BY: AFD	
A GIBRALTAR INDUSTRIES COMPANY				