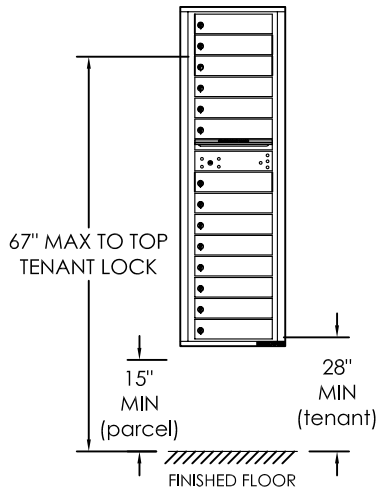


Rear load door detail:

1. Hinge rear door panels constructed of heavy-gauge steel powder coated postal grey.
2. Latch mechanism secures rear doors- this is the USPS approved standard design.
3. No USPS arrow lock required for rear doors.

USPS INSTALLATION EXAMPLE



NOTES:

1. MODULE DOES **NOT** MEET USPS INSTALLATION SPECIFICATION REQUIREMENTS AS SHOWN IN DIAGRAM TO LEFT.
2. FOR PRIVATE DELIVERY ONLY UNLESS AUTHORIZED BY LOCAL POSTAL OFFICIALS.

PRODUCT SERIES: VERSATILE™ 4C SUITE F
REAR LOAD

AF FLORENCE
manufacturing company

5935 Corporate Drive • Manhattan, KS 66503
www.florencemailboxes.com • (800) 275-1747

A GIBRALTAR INDUSTRIES COMPANY

MODEL	4CFT6-14R	REV	-
SCALE	1:16	LAST REV DATE	7/7/2009
DRAWING NUMBER		DRAWN BY	
4CFT614RCS		NBC	