



**Auth-Florence
Manufacturing**

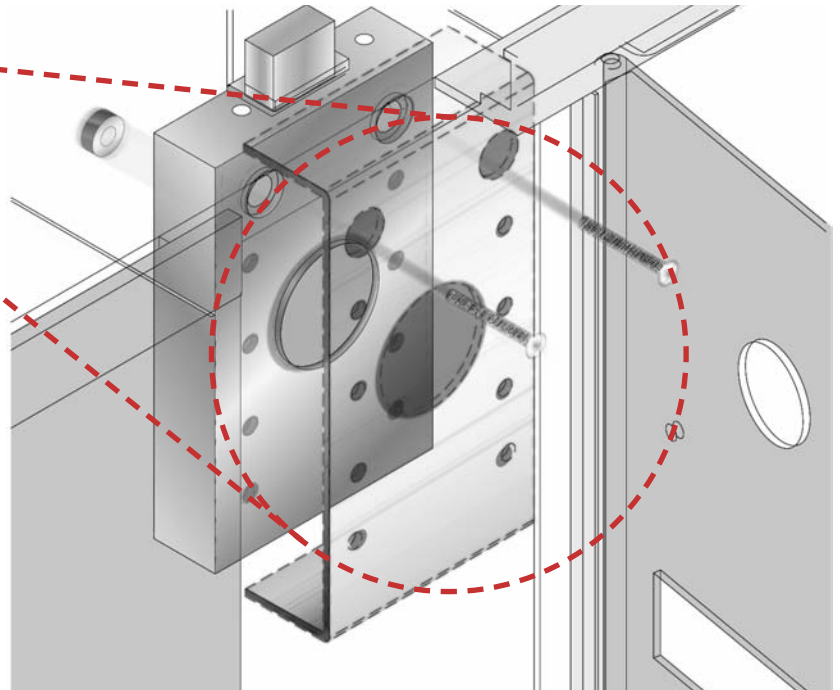
5935 Corporate Drive, Manhattan, KS 66503
Phone: 800-275-1747 • Fax: 800-275-5081
Web: www.auth-florence.com

A USPS STRATEGIC PARTNER

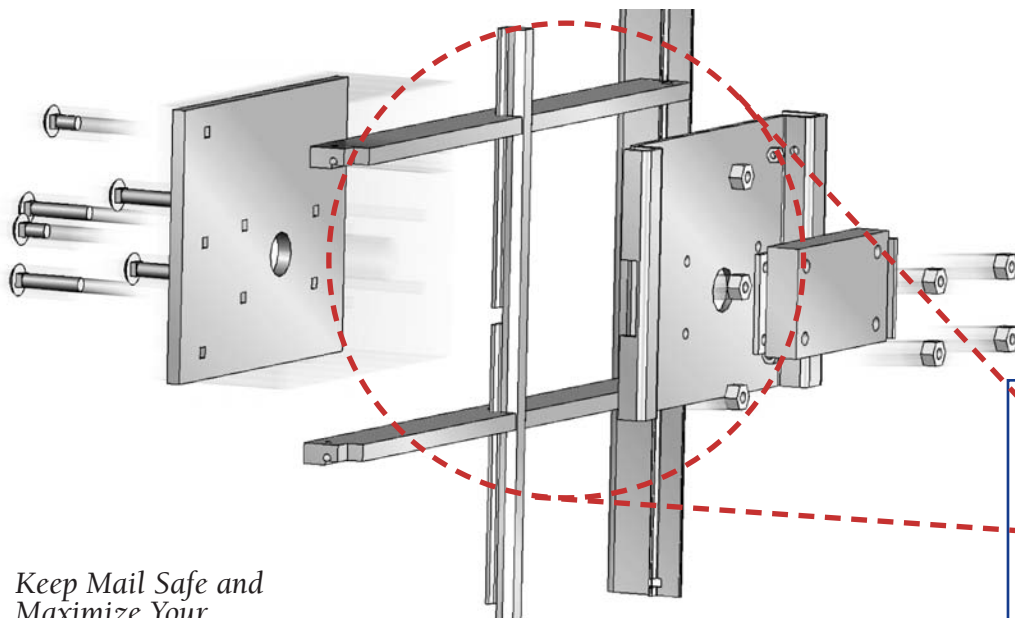
Auth-Florence Security Upgrade Kits

The Solution to Apartment Mailbox Security

- Improves lock strength and resistance to the most common methods of attack
- Far exceeds current mailbox safety standards
- Kits are designed to harden both the Postal Arrow Lock and Master Gate Doors
- Easy to install, takes only a few tools and a little time
- USPS Approved
- Protects mailboxes against tampering & theft, helping reduce identity theft



*Easy to Follow
Instructions Are Included!*



*Keep Mail Safe and
Maximize Your
Mailbox Investment.*

SECURITY UPGRADE

